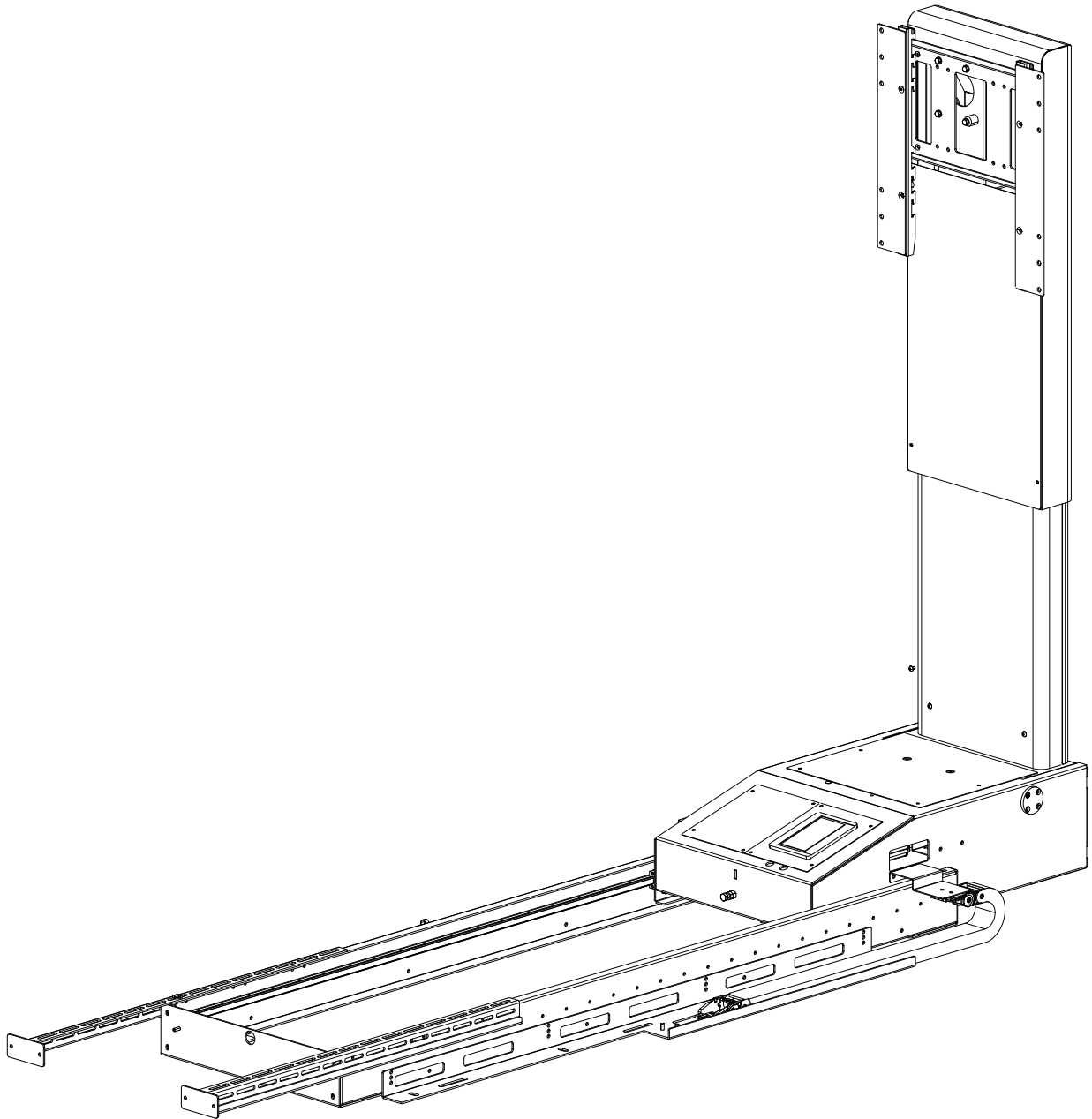


# ekinex

---

## REVÉLO UNDER BED TV LIFT EK-BTV-BL



## Data sheet

v.1.02 EN

**Thank you for choosing a product from Ekinex.**

For the correct and safe use of the product, it is essential to carefully read and observe the instructions in this manual.

All documentation accompanying the product - and especially this manual - must be carefully preserved for future reference.

© 2023 Ekinex - All rights reserved

**ekinex**

Ekinex S.p.A.  
Via Novara 37  
28010 Vaprio d'Agogna (NO) - Italy  
Tel. +39 0321 1828980  
C.F. - P.IVA: 02579690039  
SDI: SUBM70N  
info@ekinex.com  
www.ekinex.com

This publication or any part of it may not be reproduced, stored in a storage machine, transmitted, transcribed or translated into any language, common or computer language, in any form or by any means, electronic, mechanical, magnetic, optical, chemical, manual or otherwise, without the express written permission of Ekinex.

Ekinex provides a guarantee with respect to the contents of this publication, with the express prohibition to use the same publication for any other purpose, of any nature whatsoever, commercial, practical, technical or scientific, unrelated to the operation of the product for which this publication was written.

The guarantee for the correctness of the information contained herein is provided on the condition that all requirements contained in this documentation are strictly observed by the installer and user of the product.

Furthermore, Ekinex reserves the right to revise this publication and to make changes in the contents without any obligation on Ekinex to notify any person or organisation.

The original data sheet is written in Italian.

Revised publications will be available on request on the website: [www.ekinex.com](http://www.ekinex.com).

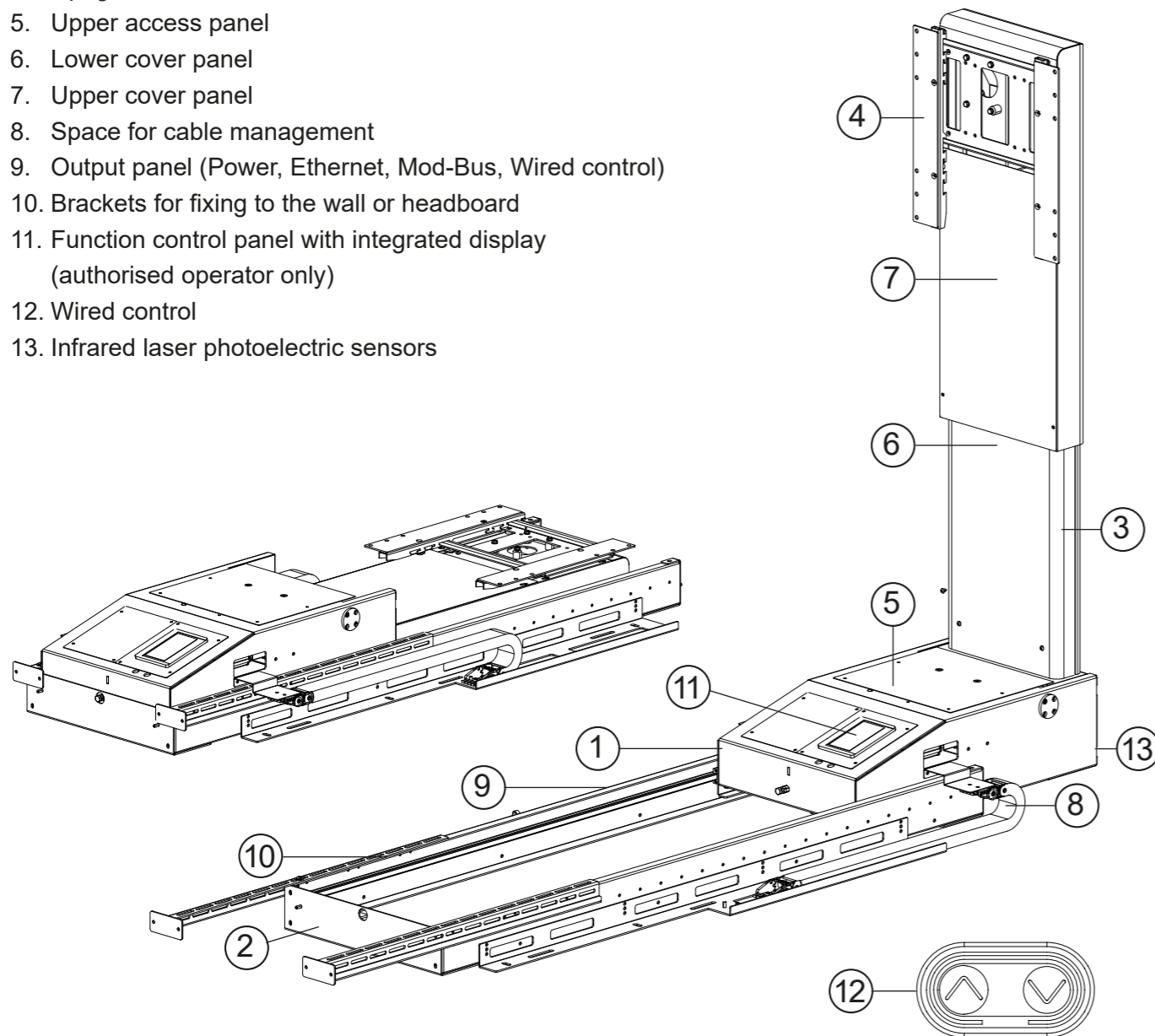
## Product description

The BTV lift is designed and built to move a retractable TV. The product in the rest state is placed under the bed; pressing and holding the wired control button (supplied), the product switches the TV to the in-use state. The transition between the two states of rest/use takes place by means of three movements driven by three electric motors:

- **Horizontal translation (the TV comes out from under the bed);**
- **Rotation (the TV is brought to a vertical position);**
- **Raising (the TV is raised to the height preset during installation).**

## Package contents

1. Frame
2. Rear wall
3. Telescopic section
4. Uprights for TV screen installation
5. Upper access panel
6. Lower cover panel
7. Upper cover panel
8. Space for cable management
9. Output panel (Power, Ethernet, Mod-Bus, Wired control)
10. Brackets for fixing to the wall or headboard
11. Function control panel with integrated display (authorised operator only)
12. Wired control
13. Infrared laser photoelectric sensors



## Technical specifications

### Technical data - General information:

<b>Dimensions in rest position (without TV)</b>	1574 x 680 x 221 mm
<b>Maximum dimensions (without TV)</b>	1930 x 680 x 1740 mm
<b>Mass (without TV)</b>	80 kg
<b>Cycle time</b>	25-28 s

### Environmental operating conditions:

<b>Environment</b>	Closed and dry, domestic
<b>Ambient temperature</b>	5 to 40 °C
<b>Relative humidity</b>	30 to 50% (without condensation)
<b>Salinity</b>	Excluded
<b>Solar radiation</b>	No
<b>Vibration</b>	No

### Environmental conditions of transport and storage:

<b>Environment</b>	Closed and dry
<b>Ambient temperature</b>	-25 to 55 °C
<b>Relative humidity</b>	10 to 80% (without condensation)
<b>Salinity</b>	Excluded
<b>Solar radiation</b>	No
<b>Vibration</b>	No
<b>Splashes of water and oil, projection of material and substances from nearby machines</b>	No

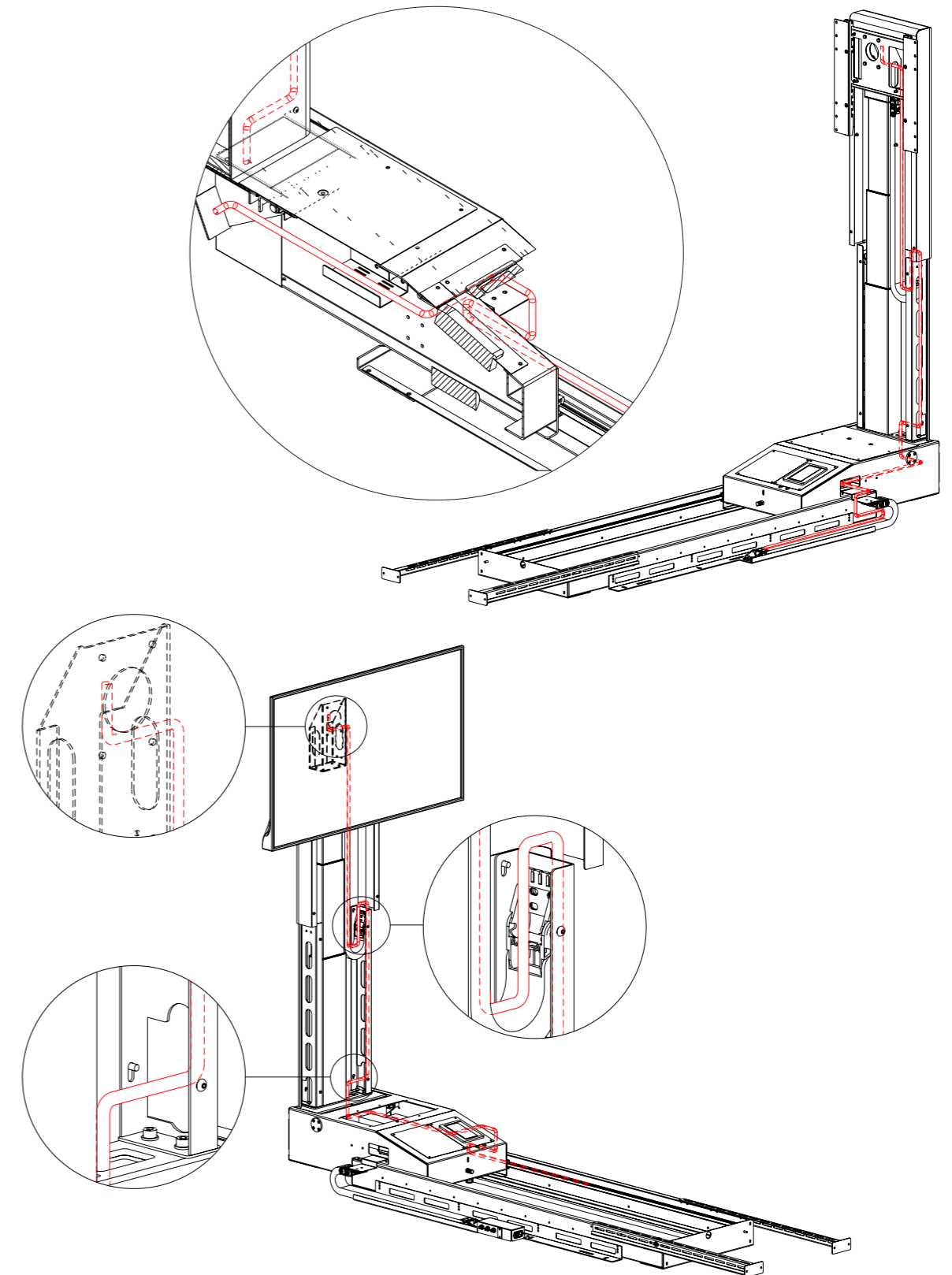
## Technical specifications

### Power supply:

<b>Voltage</b>	230 V $\pm$ 10%
<b>Frequency</b>	50 Hz $\pm$ 2%
<b>Current</b>	1.6 A
<b>Total installed power</b>	150 W
<b>Protection required</b>	IP20

### Technical data - Television:

<b>Minimum screen size</b>	32 inches
<b>Maximum screen size</b>	55 inches
<b>Minimum space between TV and bed frame above</b>	50 mm
<b>Maximum weight</b>	25 Kg



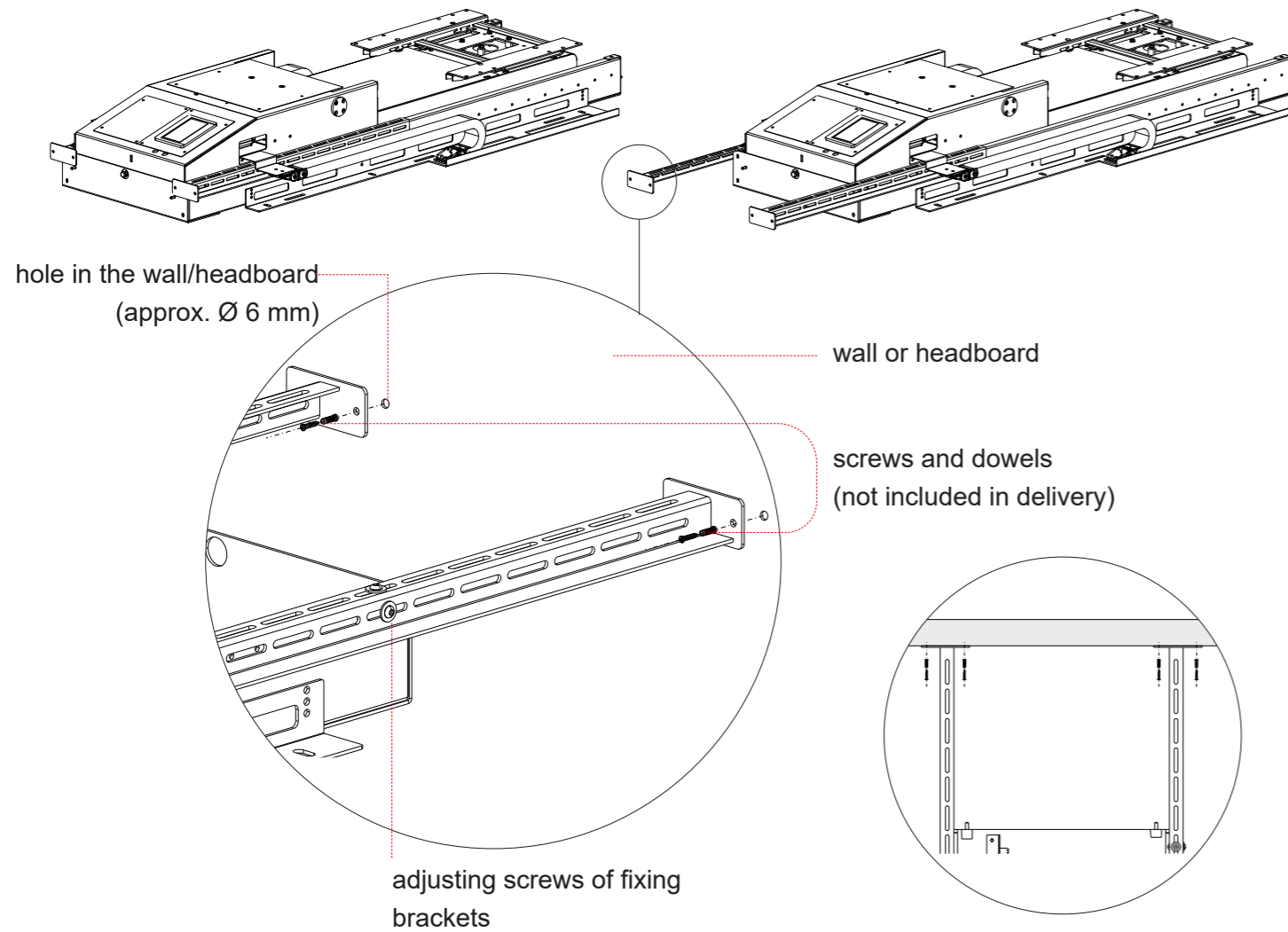
## Wiring

Route the power and video source cables through the base of the device and into the side compartment, as illustrated, up to the top where the TV screen is to be installed. Replace all previously removed cover panels after positioning the cables.

## Product setup operations

**⚠ DANGER**

The modes of operation described below are reserved exclusively for trained and authorised personnel when installing the product.

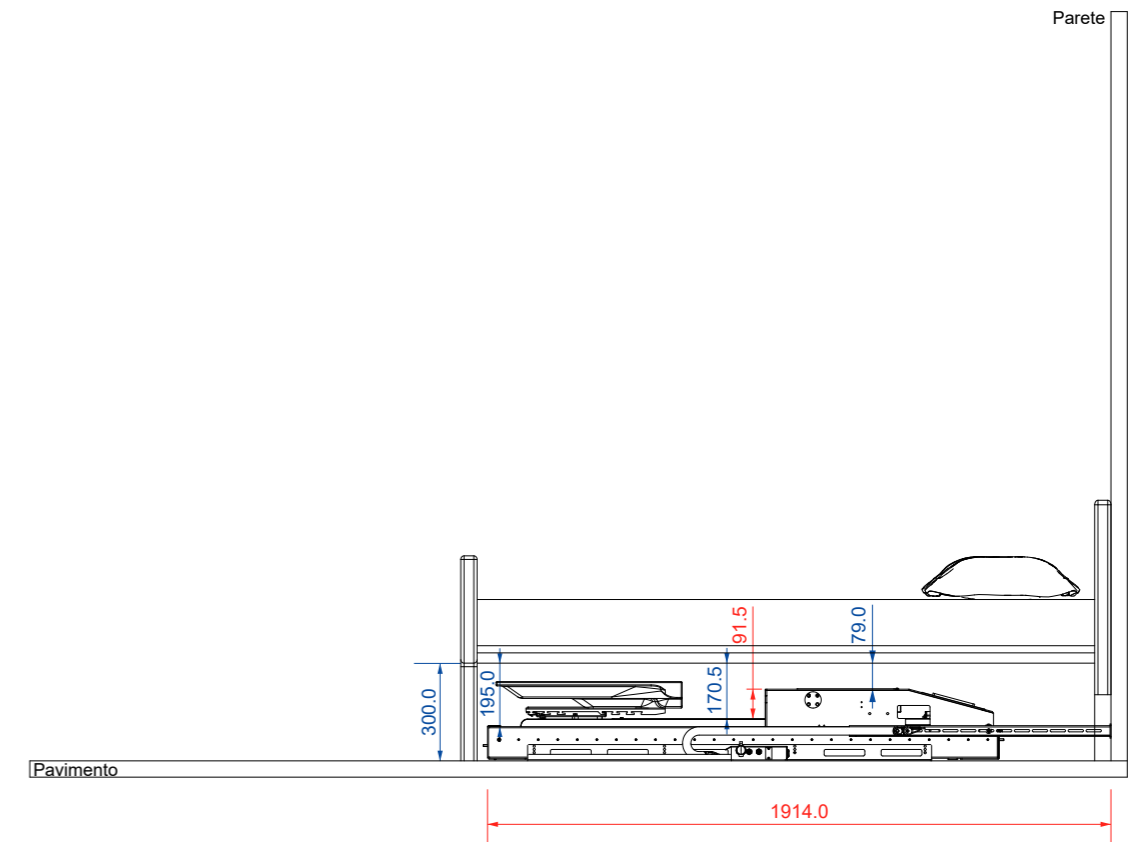
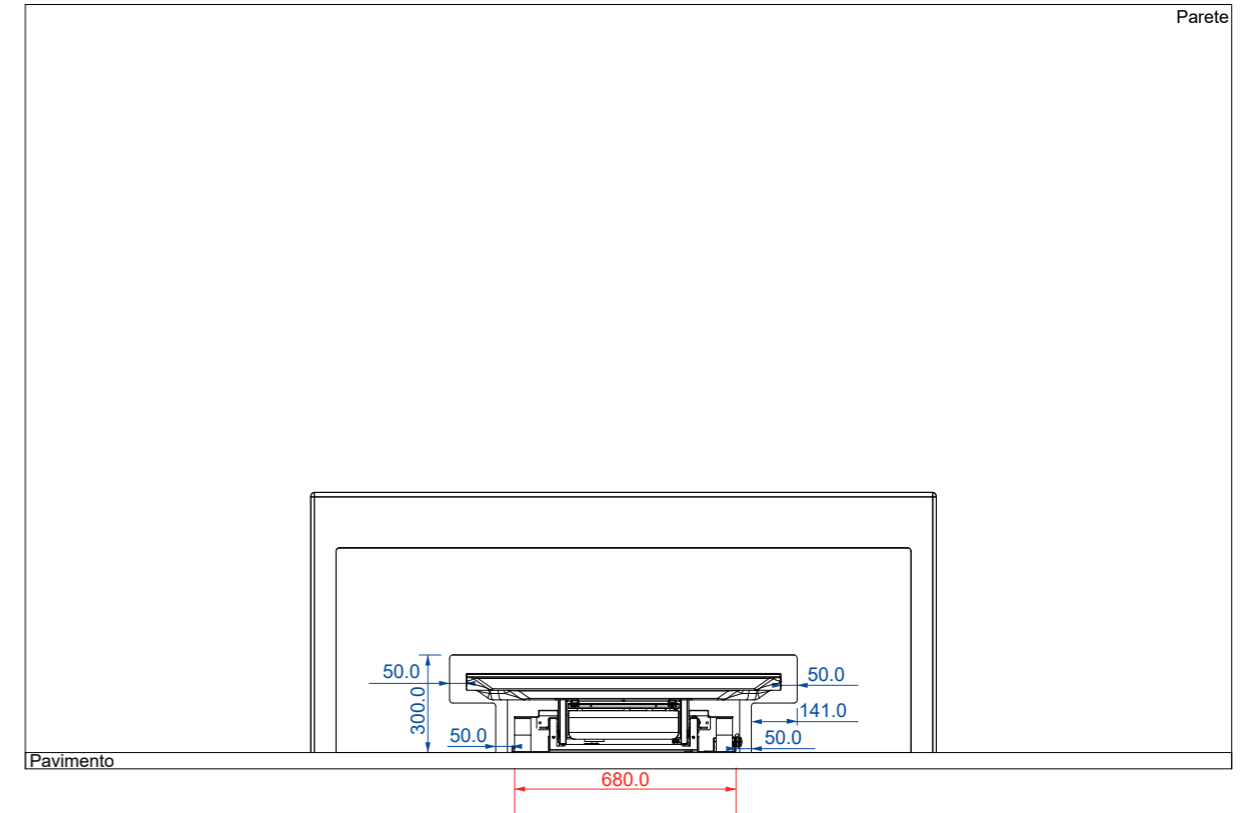


## Positioning and fixing

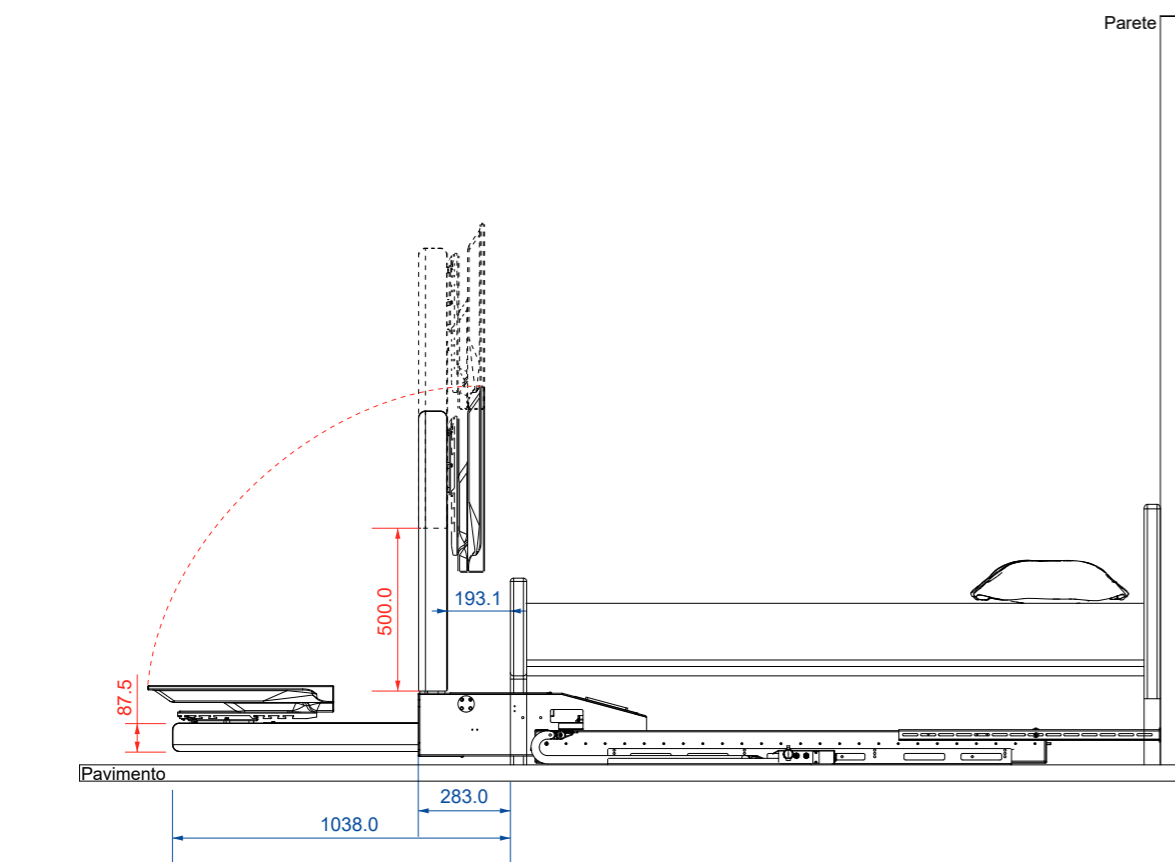
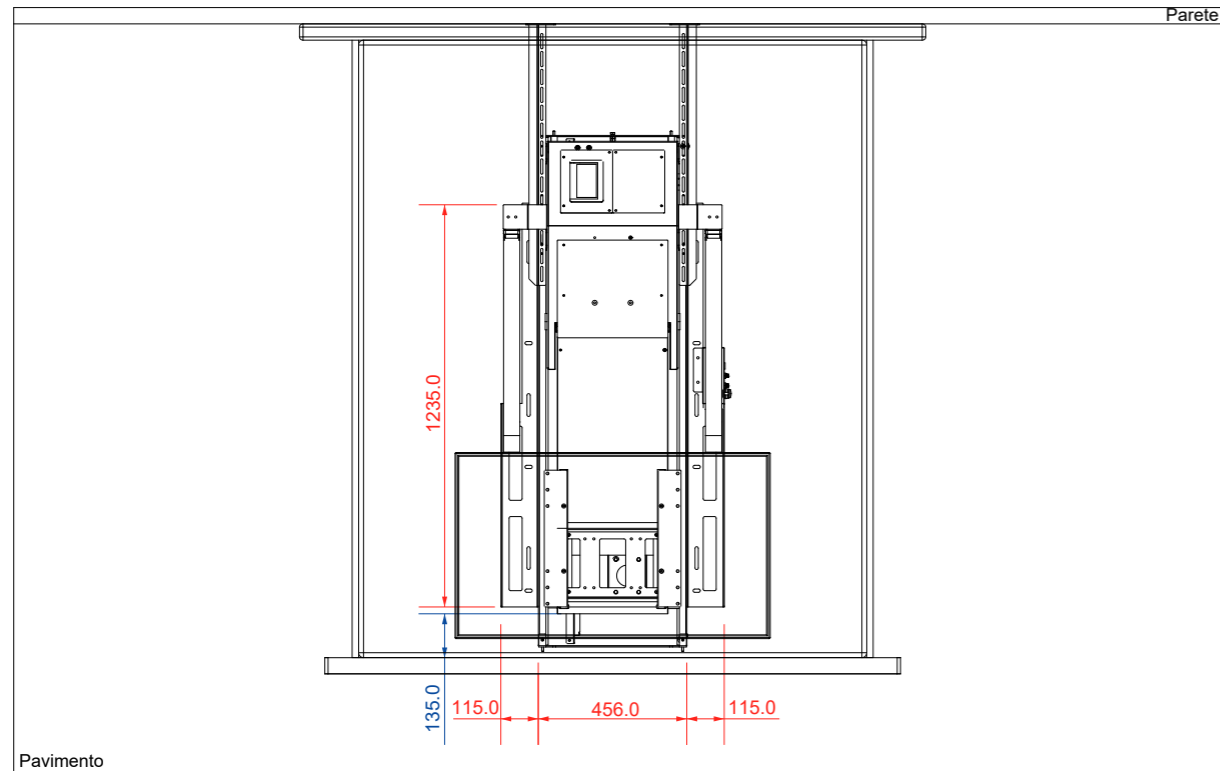
**⚠ WARNING**

The bed frame inside which the product is to be installed must be closed at the sides and have the characteristics shown below in the drawings.

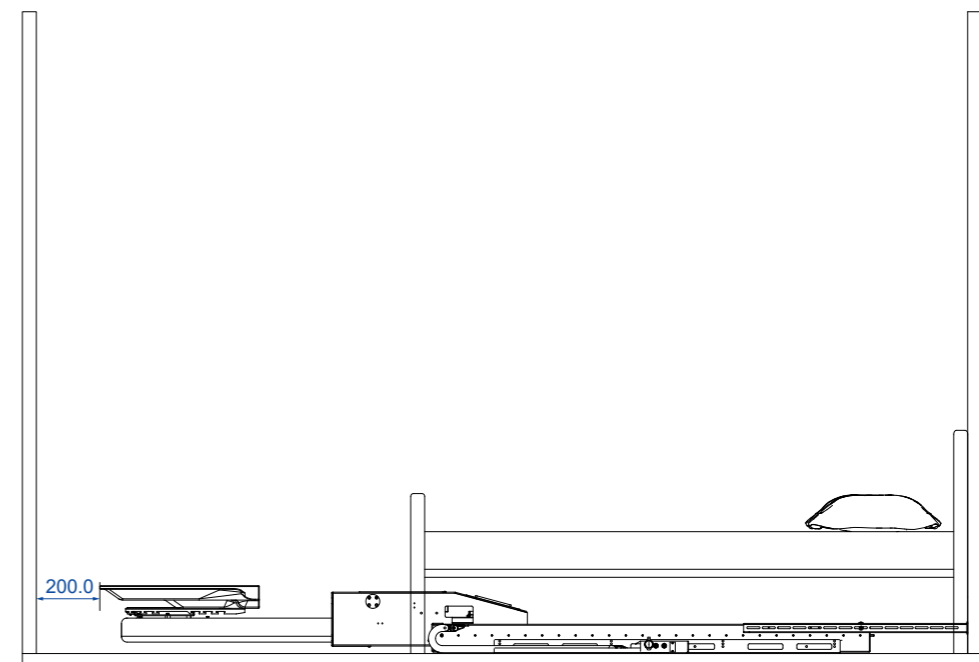
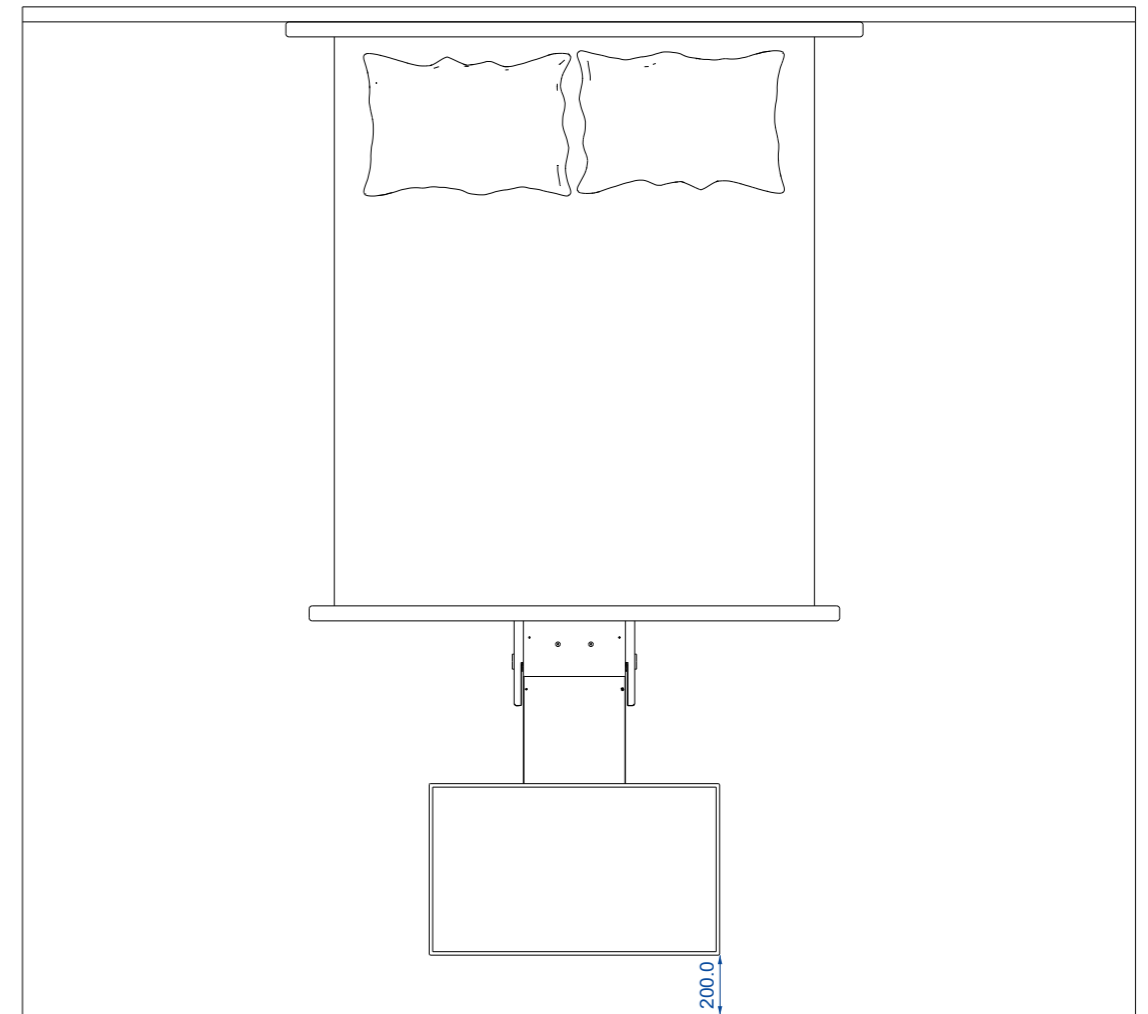
First, return the mechanism to the closed position. After checking that the reference dimensions (mm) of the area under the bed comply with the parameters given on the following pages, adjust the device fixing brackets and fix them to the rear wall as illustrated, using screws and dowels (for wood, wall or plasterboard walls) not supplied.



For correct operation of the device, observe the installation dimensions (mm) shown in the figures above.



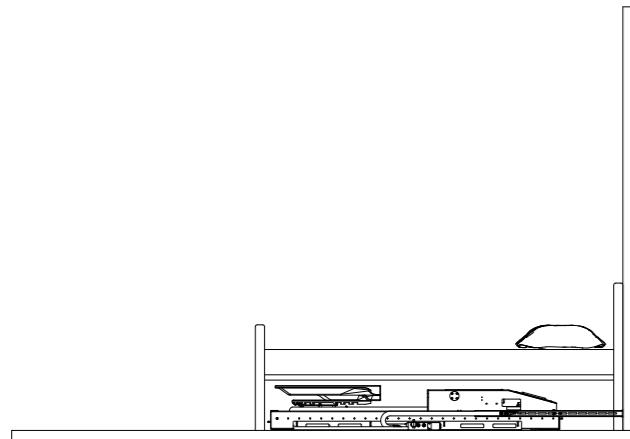
For correct operation of the device, observe the installation dimensions (mm) shown in the figures above.



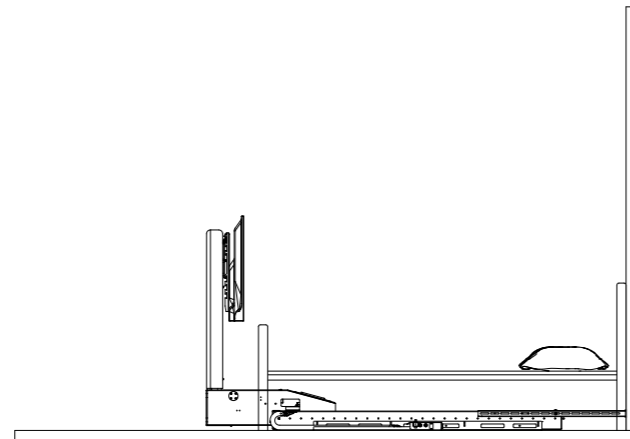
Observe a minimum distance of 200 mm (from walls or furniture) with the device in the translated position and TV installed.

### Motion control mechanism

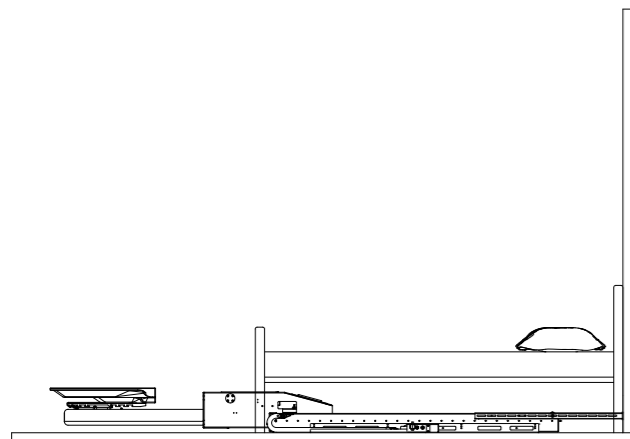
2D/3D view



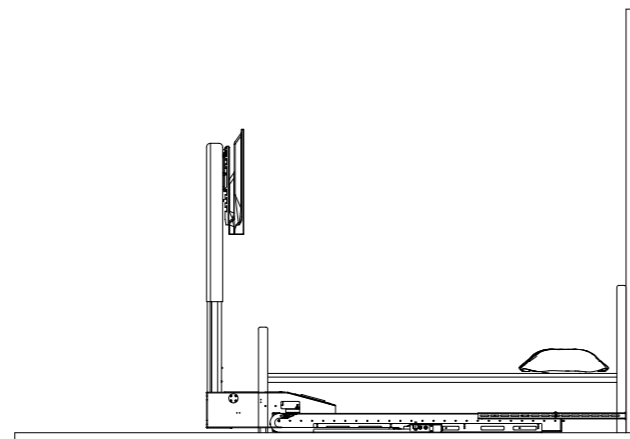
Lift in closed position with fixing brackets extended



Lift in 90° rotated position

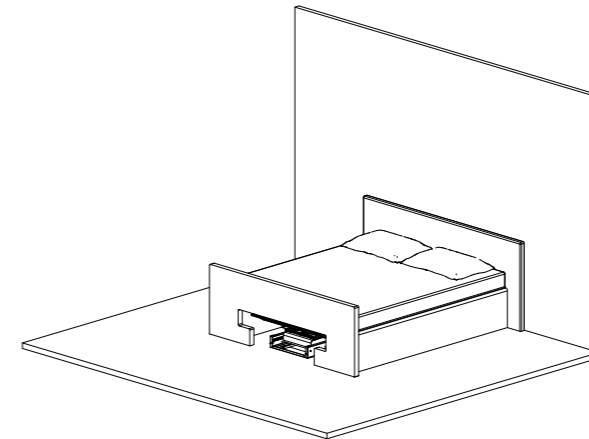


Lift in translated position

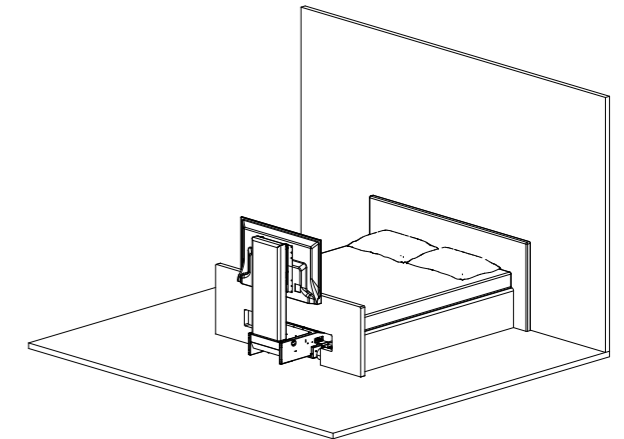


Lift in raised position

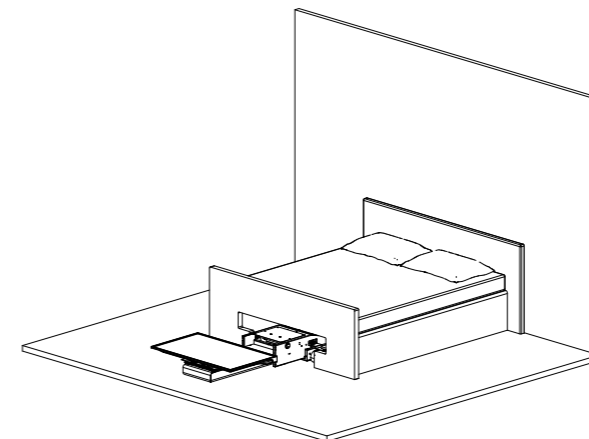
Check the distance of the mechanism through the movement cycle to ensure that it reaches the raised position without hitting any obstacles and that it has adequate clearance to the floor.



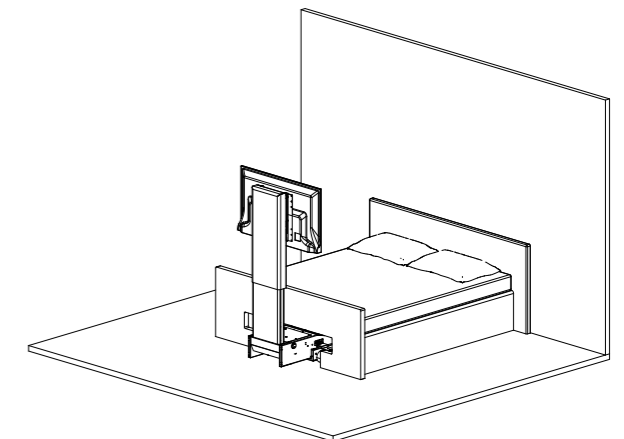
Lift in closed position with fixing brackets extended



Lift in 90° rotated position

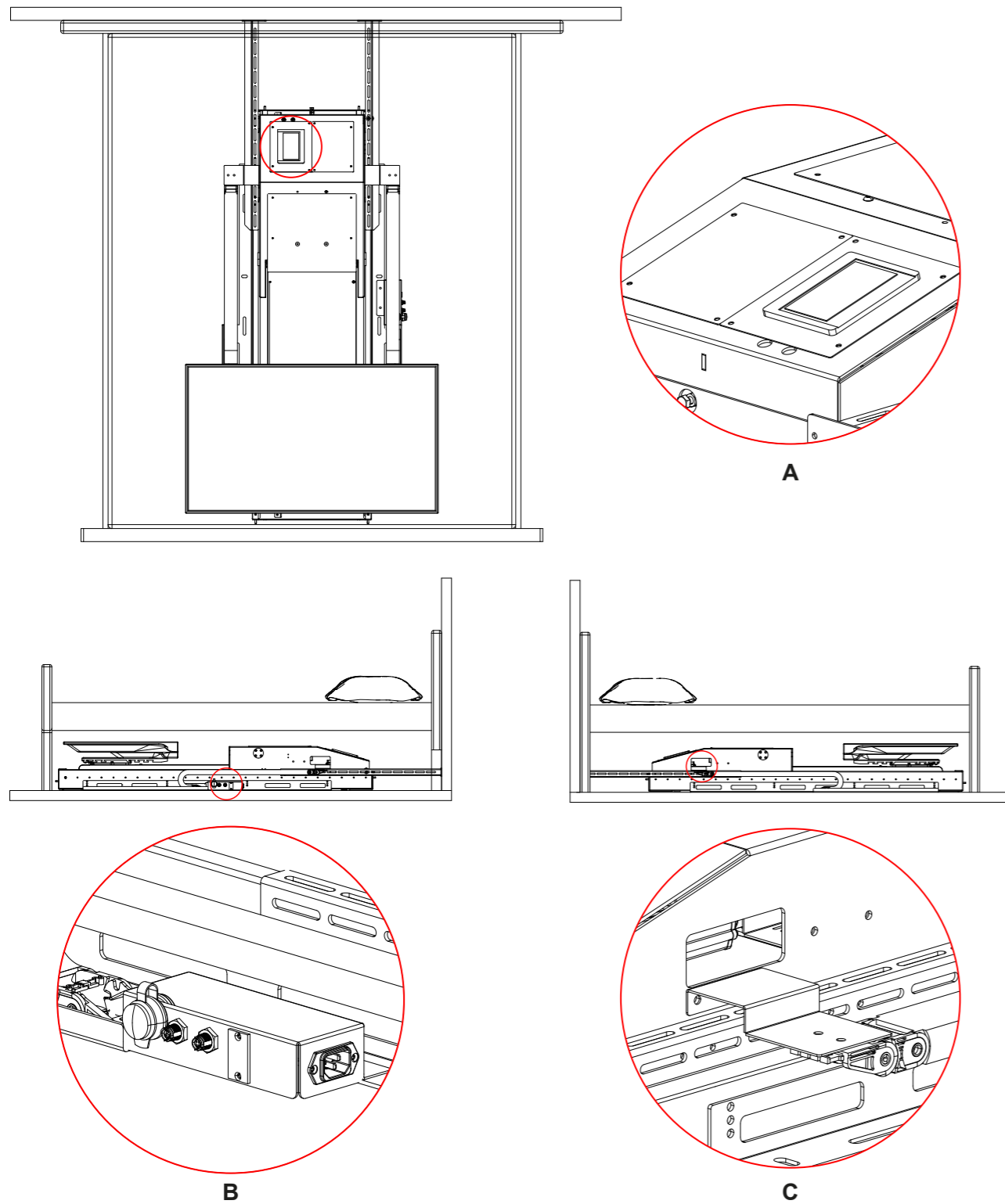


Lift in translated position



Lift in raised position

Ensure that there is sufficient space for the screen and uprights when the mechanism performs the hinge movement.



## Cable management

Detail A shows the function control panel with integrated display.

Detail B shows the housing detail for the power cable and other cable types for interfacing with compatible external devices.

Detail C shows the part where the cables for the TV monitors will be inserted.

**Ekinex S.p.A.**  
Via Novara 37  
28010 Vaprio D'Agogna (NO) Italy  
Tel. +39 0321 1828980  
info@ekinex.com  
www.ekinex.com



[www.ekinex.com](http://www.ekinex.com)



More information



Information on the  
type of packaging