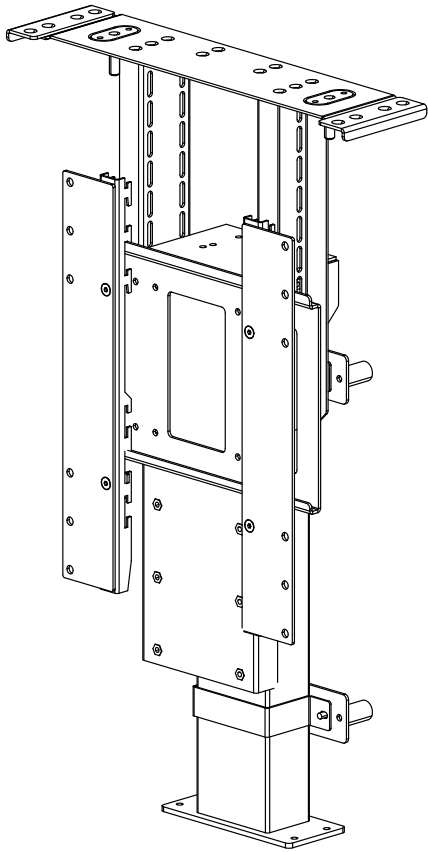


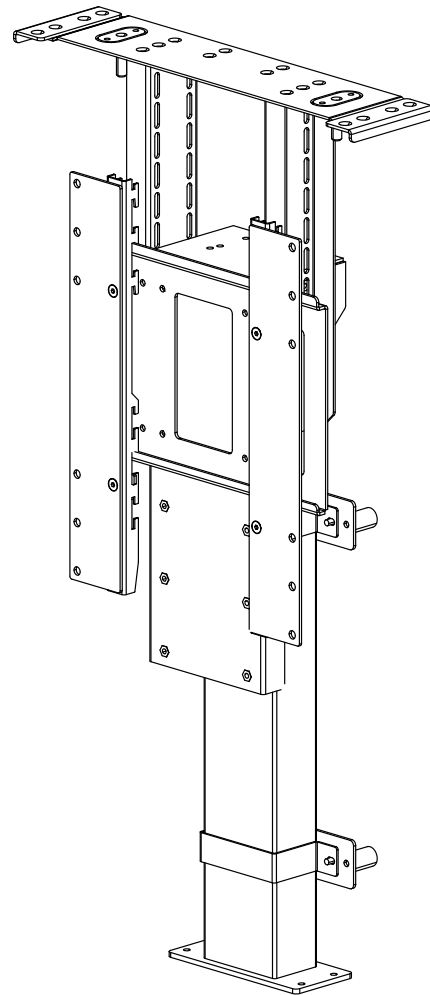
# ekinex

---

## REVÉLO UP & DOWN TV LIFT



EK-LTV-BL



EK-LTV-XL-BL

## Data sheet

v.1.01 EN

**Thank you for choosing a product from Ekinex.**

For the correct and safe use of the product, it is essential to carefully read and observe the instructions in this manual.

All documentation accompanying the product - and especially this manual - must be carefully preserved for future reference.

© 2023 Ekinex - All rights reserved

**ekinex**

Ekinex S.p.A.  
Via Novara 37  
28010 Vaprio d'Agogna (NO) - Italy  
Tel. +39 0321 1828980  
C.F. - P.IVA: 02579690039  
SDI: SUBM70N  
info@ekinex.com  
www.ekinex.com

This publication or any part of it may not be reproduced, stored in a storage machine, transmitted, transcribed or translated into any language, common or computer language, in any form or by any means, electronic, mechanical, magnetic, optical, chemical, manual or otherwise, without the express written permission of Ekinex.

Ekinex provides a guarantee with respect to the contents of this publication, with the express prohibition to use the same publication for any other purpose, of any nature whatsoever, commercial, practical, technical or scientific, unrelated to the operation of the product for which this publication was written.

The guarantee for the correctness of the information contained herein is provided on the condition that all requirements contained in this documentation are strictly observed by the installer and user of the product.

Furthermore, Ekinex reserves the right to revise this publication and to make changes in the contents without any obligation on Ekinex to notify any person or organisation.

The original data sheet is written in Italian.

Revised publications will be available on request on the website: [www.ekinex.com](http://www.ekinex.com).

### Product description

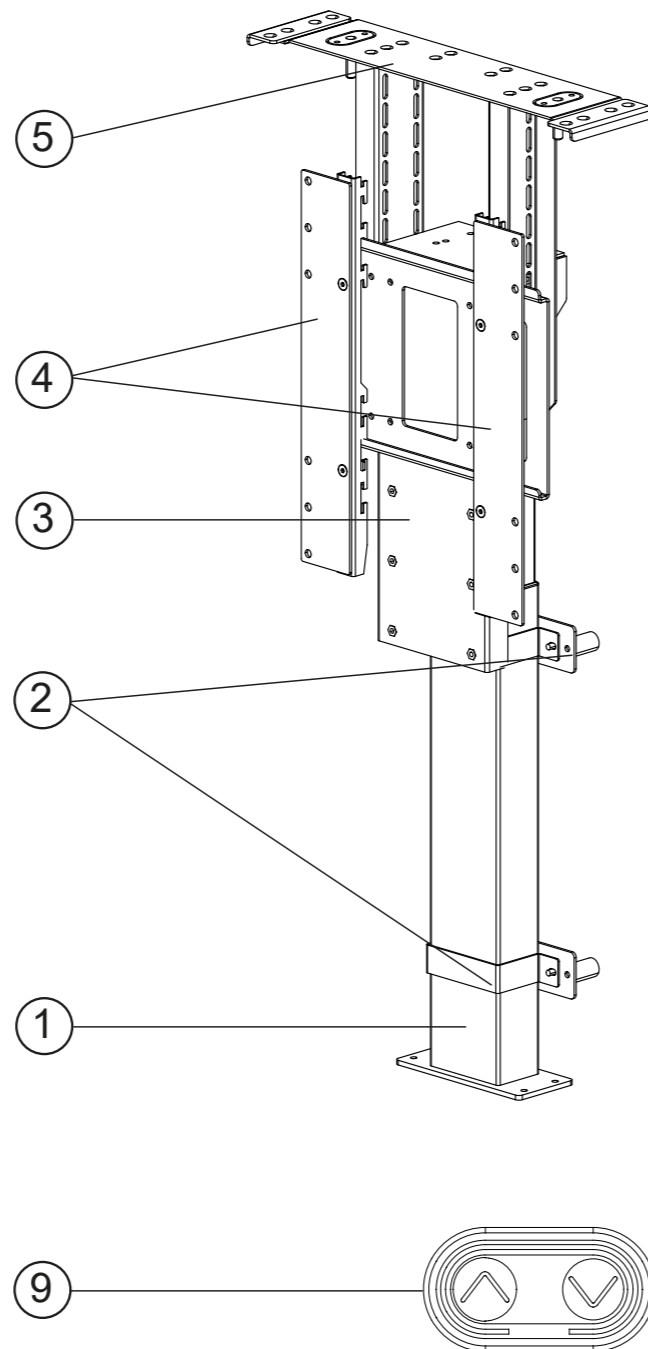
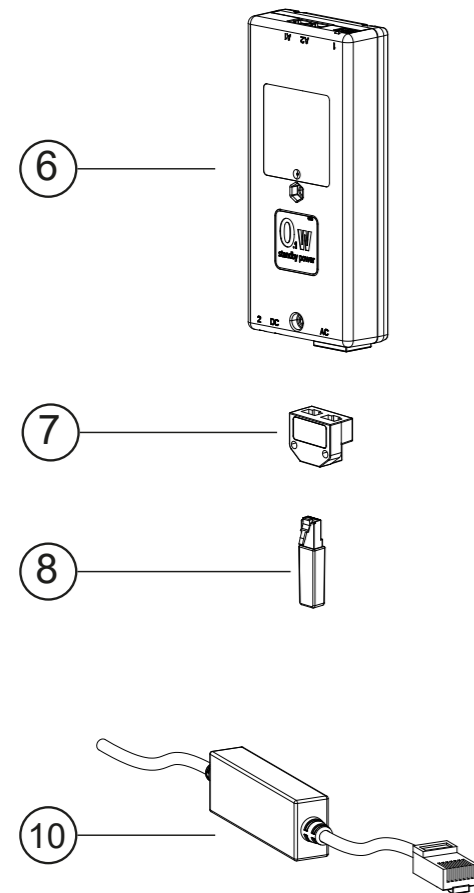
The EK-LTV-BL / EK-LTV-XL-BL product is a mechanism designed and built to move a retractable TV. The product in the rest state is placed inside a cabinet-type piece of furniture, where the TV is also concealed; by operating a wired control, the product brings the TV into a working state. The transition between the two states of rest/use takes place via an electric motor integrated in the lifting column.

Models differ according to the length of the lifting column:

- EK-LTV-BL, with a height at rest of 790 mm, suitable for TVs up to 43”;
- EK-LTV-XL-BL, with a height at rest of 939 mm, suitable for TVs up to 65”.

### Package contents

1. 3-stage telescopic lifting column
2. Cabinet wall connection brackets
3. Supporting structure
4. Uprights for TV screen installation
5. Support for fixing upper cover panel
6. Control unit
7. T-splitter
8. Desk Sensor
9. Wired remote control
10. Cavo di interfaccia USB2Lin



### Technical specifications

#### Technical data - General information:

<b>Dimensions in rest position (WxHxD, without TV)</b>	EK-LTV-BL: 471 x 598,5 / 790 x 174,7 mm EK-LTV-XL-BL: 471 x 753,5 / 939 x 171,5 mm
<b>Maximum dimensions (WxHxD, without TV)</b>	EK-LTV-BL: 471 x 1445 x 174.7 mm EK-LTV-XL-BL: 471 x 1945 x 171.5 mm
<b>Mass (without TV)</b>	EK-LTV-BL: 15 kg (33 lb) EK-LTV-XL-BL: 16 kg (35 lb)
<b>Installation dimensions</b>	EK-LTV-BL: 518 / 545 mm EK-LTV-XL-BL: 700 mm
<b>Maximum excursion closed/open position</b>	EK-LTV-BL: 665 mm EK-LTV-XL-BL: 999 mm
<b>Cycle time</b>	18 - 25 s

#### Environmental operating conditions:

<b>Environment</b>	Closed and dry, domestic
<b>Ambient temperature</b>	5 to 40 °C
<b>Relative humidity</b>	30 to 50 % (without condensation)
<b>Salinity</b>	Excluded
<b>Solar radiation</b>	No
<b>Vibration</b>	No

#### Environmental conditions of transport and storage:

<b>Environment</b>	Closed and dry
<b>Ambient temperature</b>	-10 to +50 °C
<b>Relative humidity</b>	10 to 80 % (without condensation)
<b>Salinity</b>	Excluded
<b>Solar radiation</b>	No
<b>Vibration</b>	No
<b>Splashes of water and oil, projection of material and substances from nearby machines</b>	No

**Power supply:**

<b>Voltage</b>	100 - 240 Vac $\pm$ 10%
<b>Frequency</b>	50 - 60 Hz $\pm$ 2%
<b>Stand-by power</b>	0.1 W
<b>Total power output</b>	300 W
<b>Protection required</b>	IP20

**Mechanical data of the handling column**

<b>Maximum push</b>	EK-LTV-BL: 700 N EK-LTV-XL-BL: 600 N
<b>Bending moment</b>	EK-LTV-BL: $M_y = \text{max. } 150 \text{ Nm dynamic}$ EK-LTV-XL-BL: $M_y = \text{max. } 100 \text{ Nm dynamic}$
<b>Maximum speed</b>	38 mm/s
<b>Work cycle</b>	EK-LTV-BL: 10 % ~ 2 min at continuous use and full load followed by 18 min break EK-LTV-XL-BL: 5 %

**Technical data - Television:**

<b>Minimum screen size</b>	32"
<b>Maximum screen size</b>	65"
<b>Minimum space between TV and cabinet shelf</b>	13.50 mm
<b>Maximum weight</b>	25 Kg
<b>TV mounting standard</b>	VESA 400, 300, 200, 100 (width in mm) x 400, 300, 200, 100 (height in mm)

**Other features:**

- Compact design, guide and actuator are perfectly integrated
- Mounted connector for easy connection with control unit and separate motor cable
- Column colour: black RAL 9005
- Silent movement
- PIEZO™: integrated anti-collision sensor minimises the risk of damage in the uphill and downhill directions
- PVC-Free™, made without PVC materials
- Invisible slide rails
- Minimum distance between profiles
- Synchronised movement of the medium profile
- Fixing bracket for wired control
- Motor housing (black) pre-mounted in the handling column
- Approval according to EN 60335-1 and UL 962
- For push applications only

## Wiring

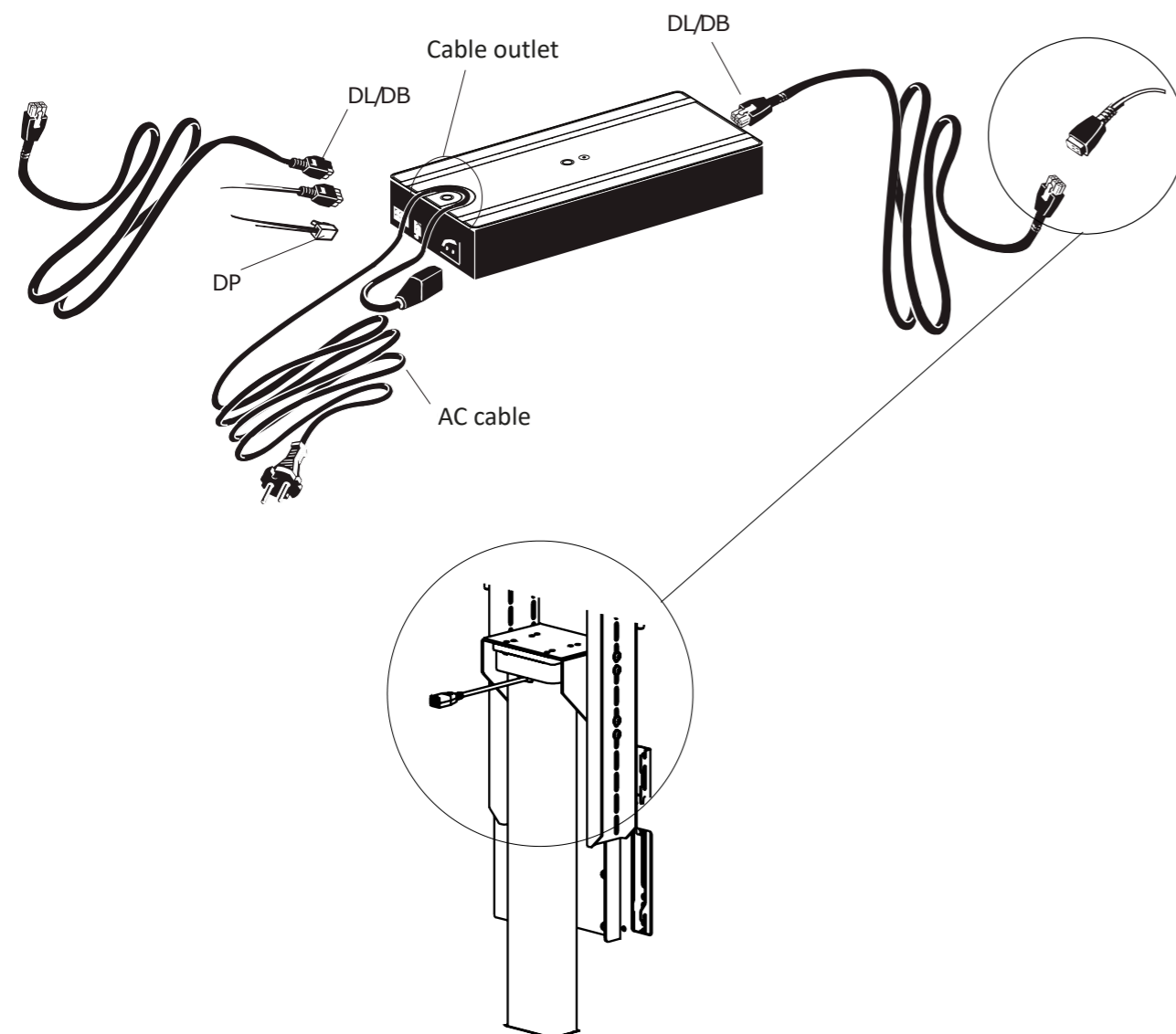
### **⚠ DANGER**

The modes of operation described below are reserved exclusively for trained and authorised personnel when installing the product.

### **⚠ CAUTION**

The control unit must only be connected to the voltage indicated on the label

1. Connect the first DL/DB (connector) to socket 1 next to port A2 on the control unit using the 6-pin plug (RJ45 type) on the motor cable. Channel 1 is the channel closest to the control port.
2. Connect additional DL/DB to sockets 2, 3 and 4 in sequence.
3. Connect the wired remote control to control port A1 or control port A2.
4. Check that the voltage indicated on the label corresponds to the mains voltage. Otherwise, do not connect the power cable.
5. Connect the power cable
6. Switch on the power supply.



## Positioning and fixing

### **⚠ WARNING**

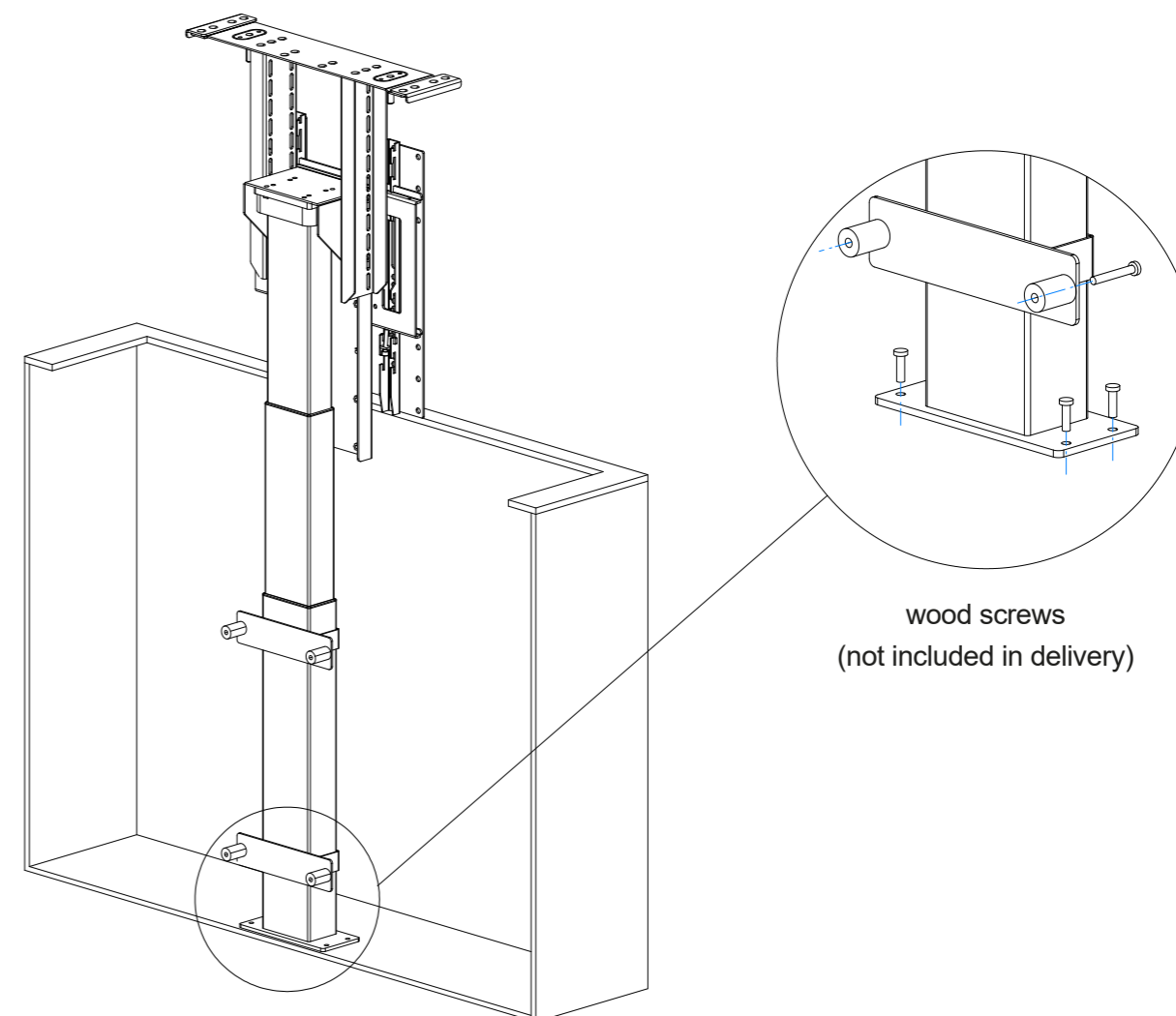
The cabinet structure inside which the device is to be installed must be closed at the sides and have the characteristics shown below in the drawings.

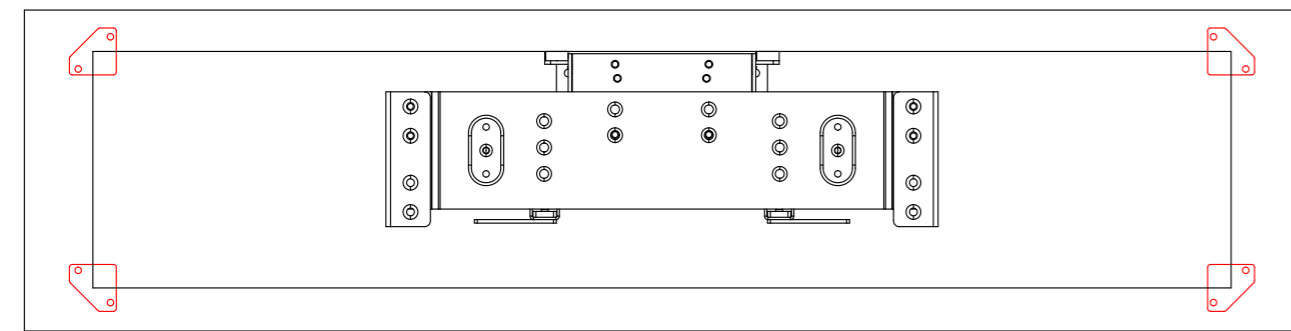
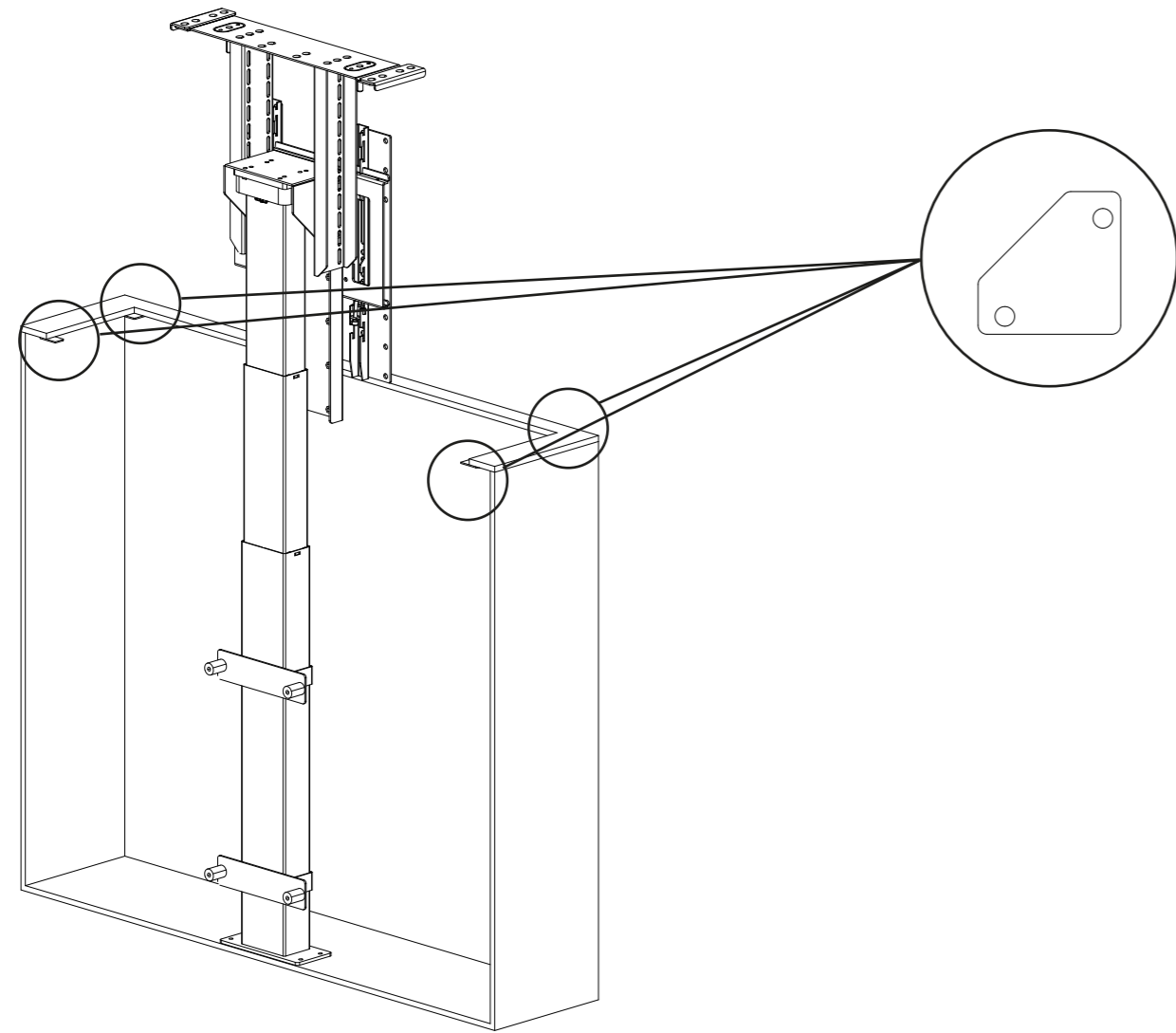
Set the mechanism to the fully open position, following the instructions for connecting the control unit and remote control, as stated in the Instruction manual enclosed with the product.

Next, insert the supporting structure into the cabinet and position the mechanism correctly, in relation to the side dimensions and distance from the wall.

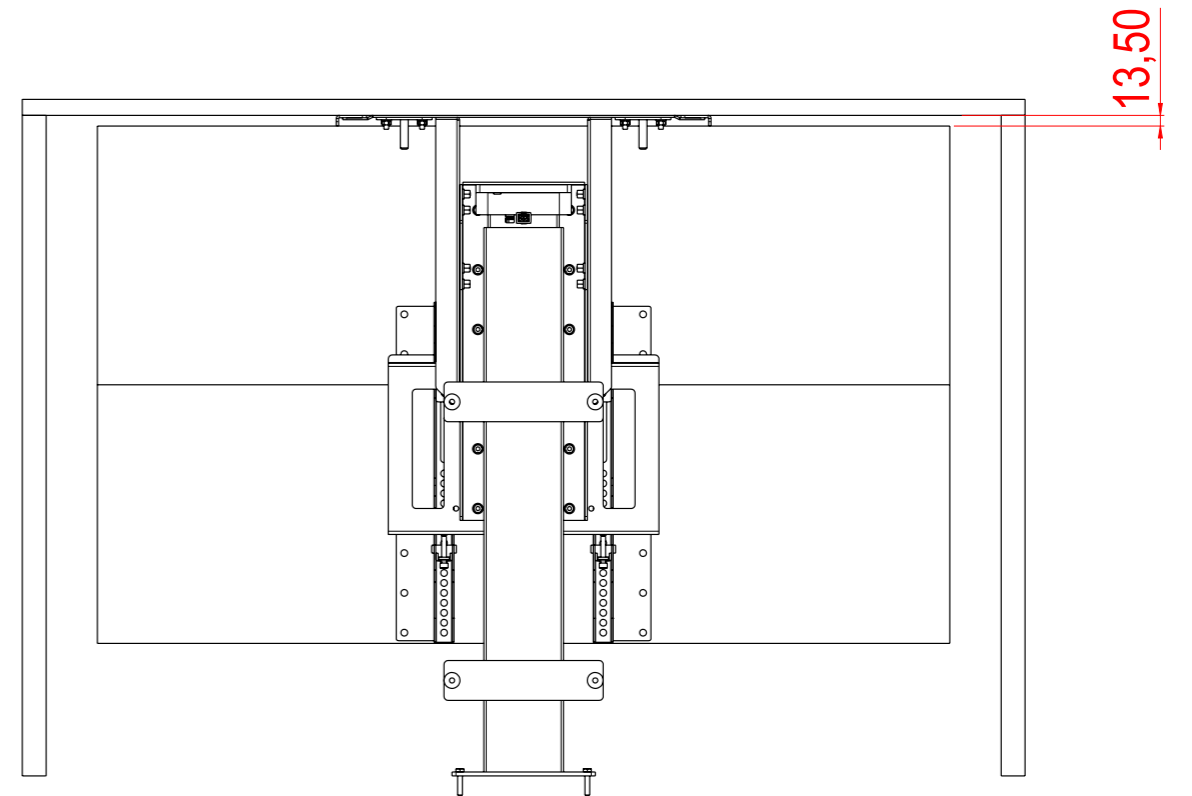
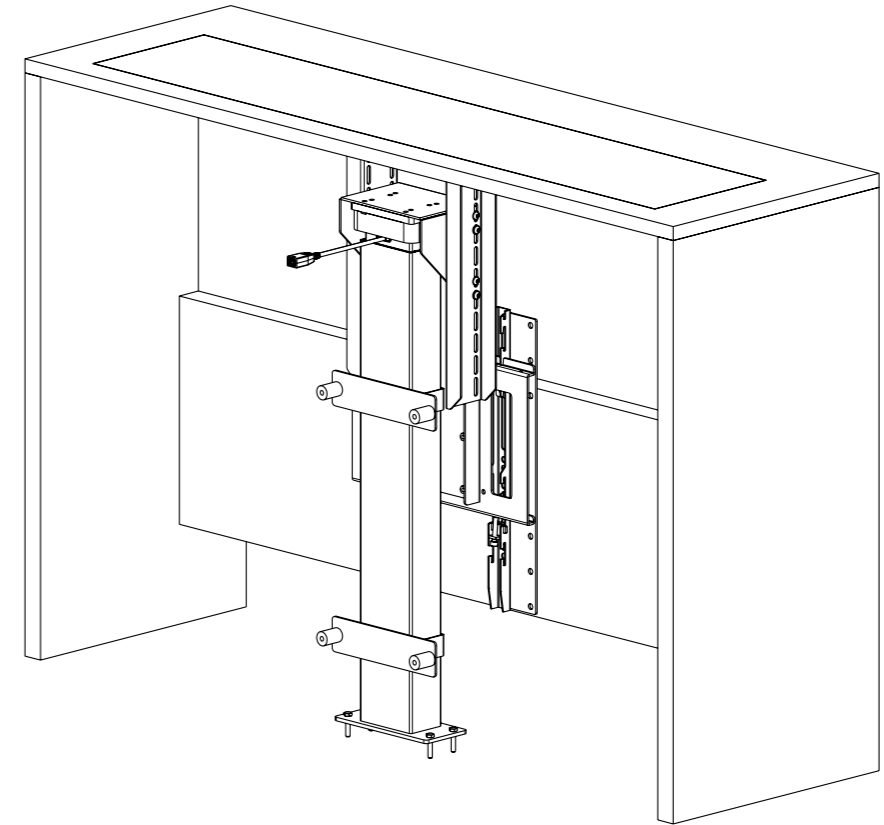
Adjust the device fixing brackets and fix them to the rear wall as illustrated.

Proceed with fixing the mechanism to the floor and wall, using the screws supplied.

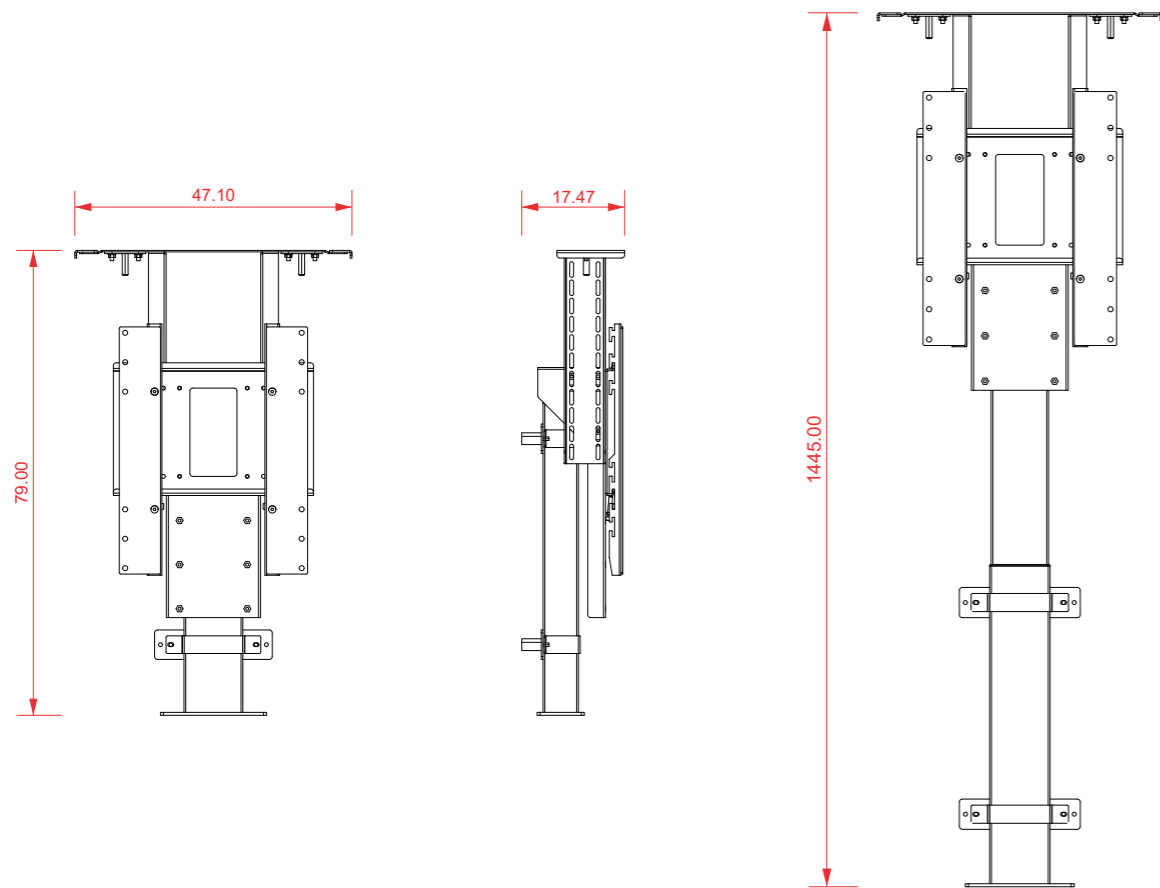




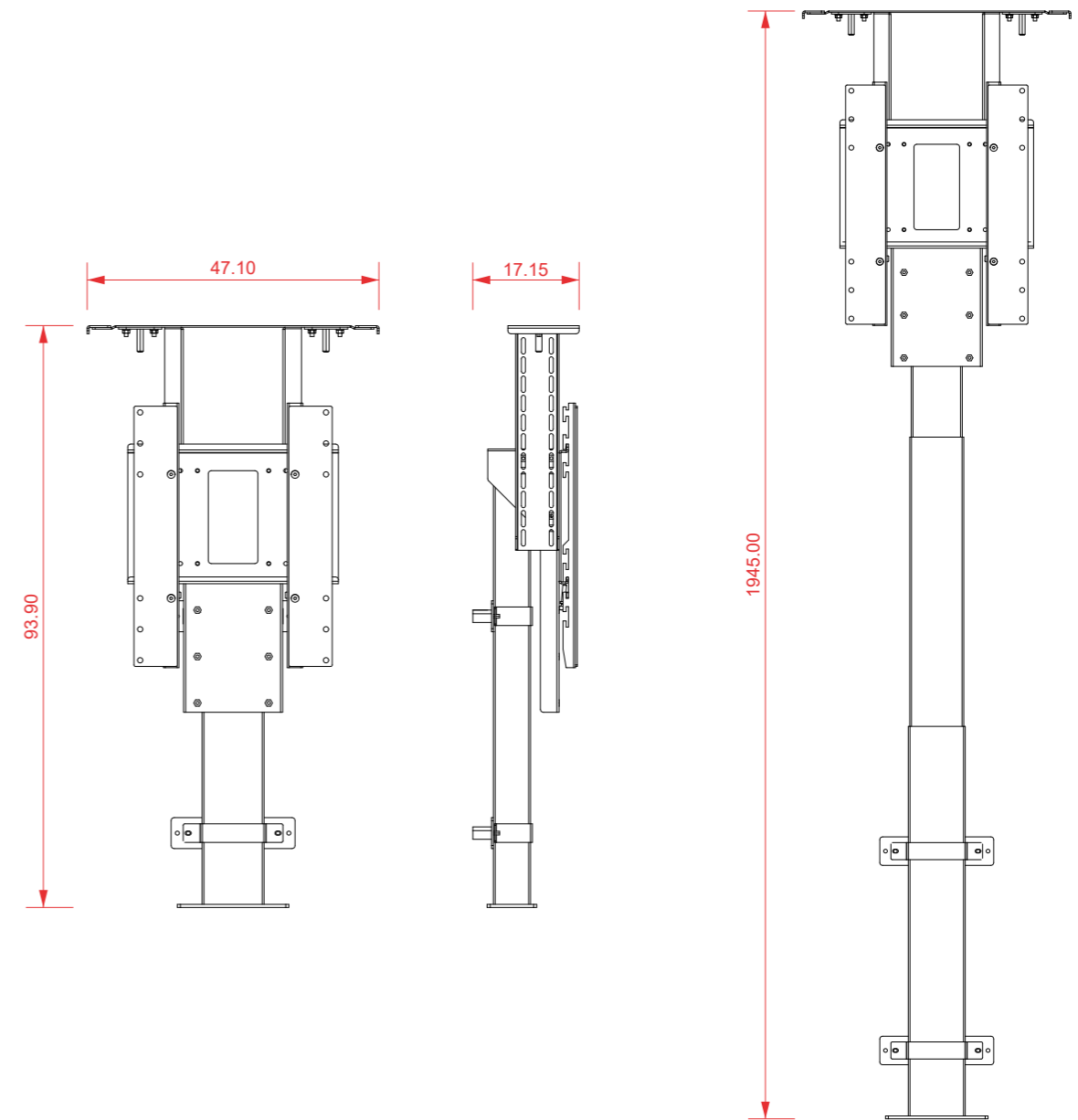
Top view



Dimension

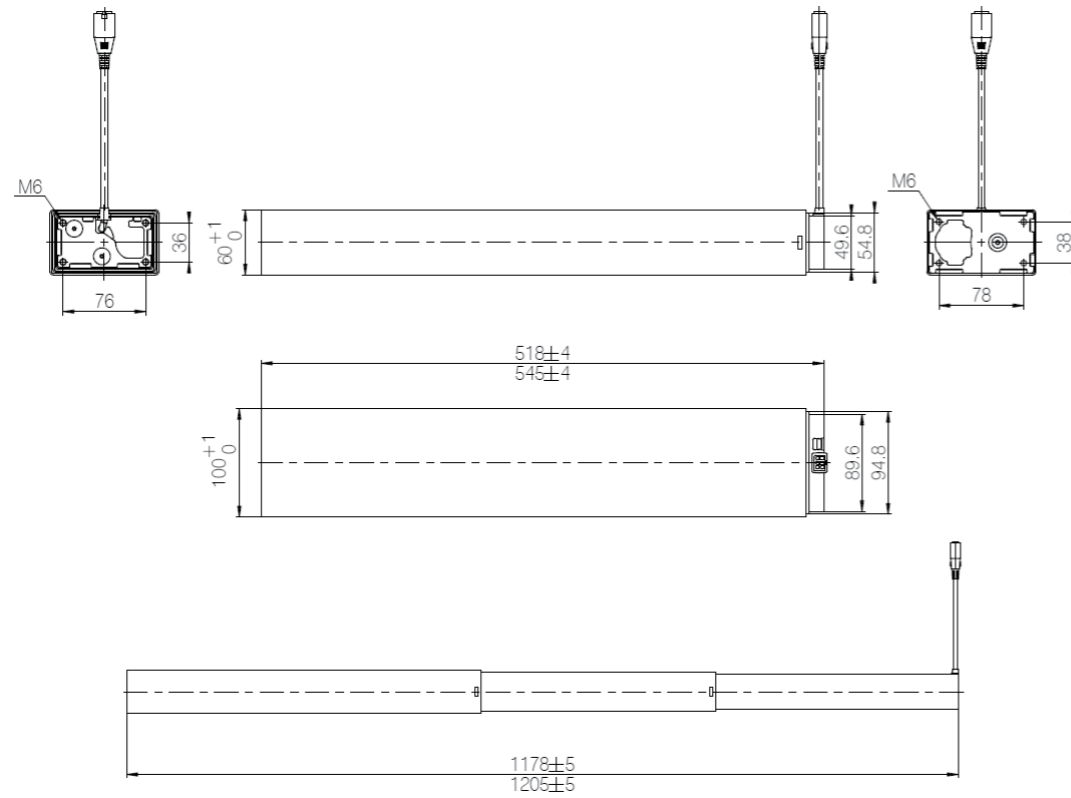


EK-LTV-BL

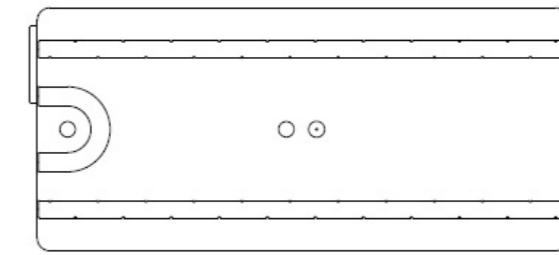
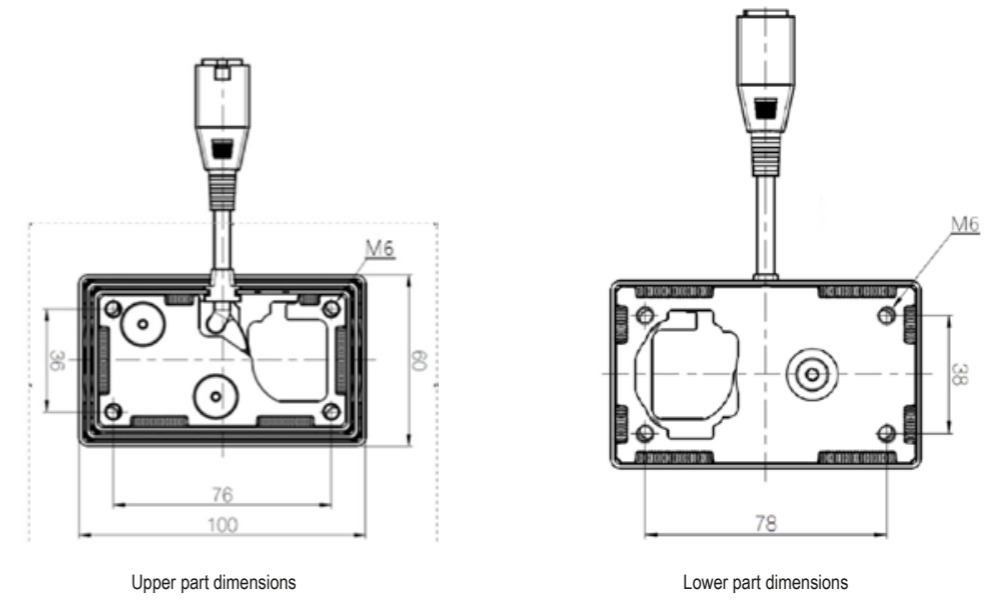
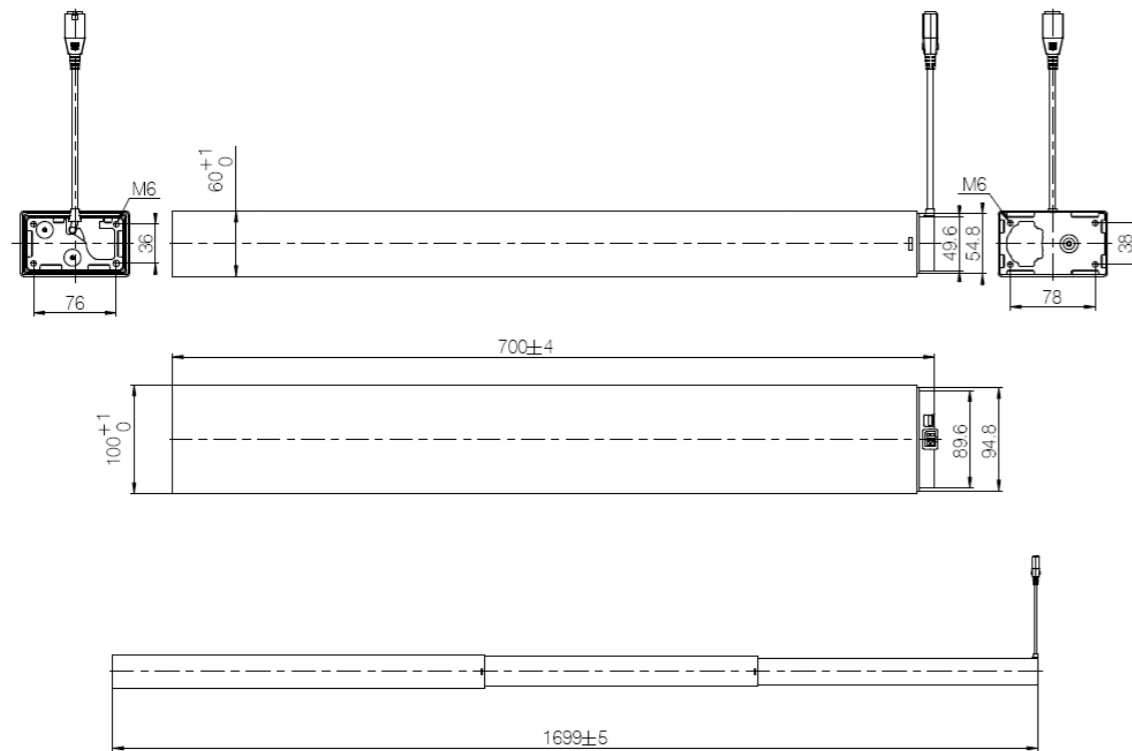


EK-LTV-XL-BL

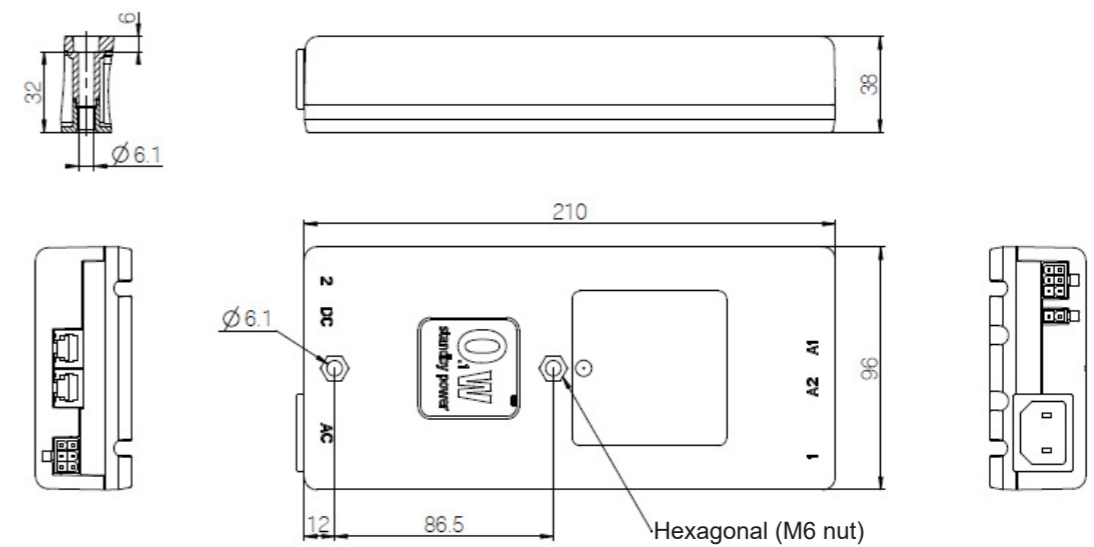
Standard version column



XL version column

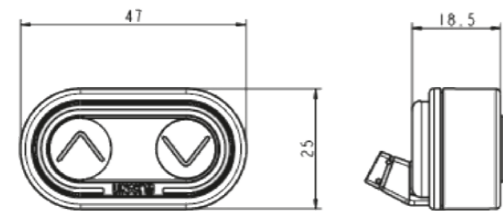


Control unit

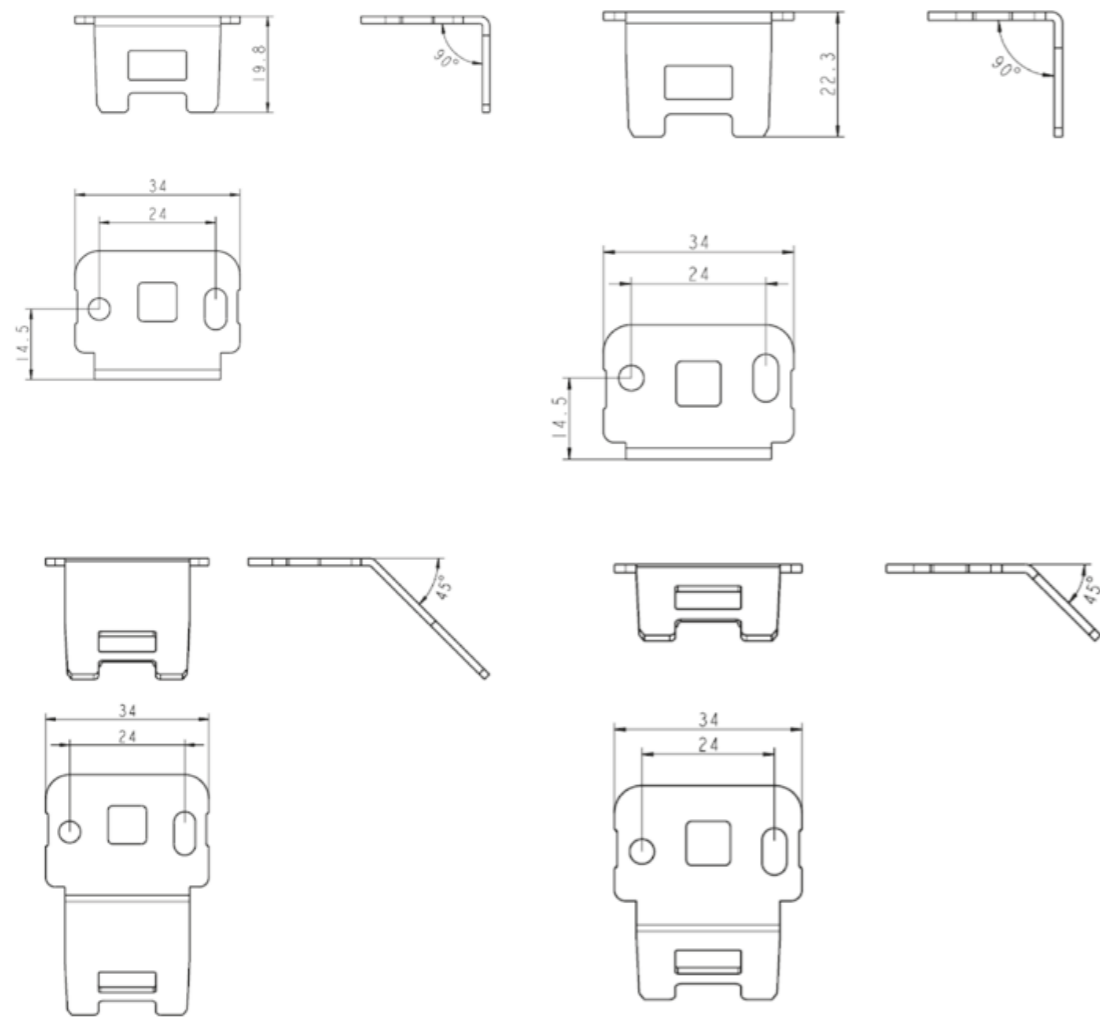


A1/A2	Control ports for connection of one or two desk panels or the Anti-Collision™ dongle A1/A2 are parallel ports
AC	Connection to the mains supply
DC	Connection to Battery Box BA001
1 and 2	Sockets for one or two DL/DB

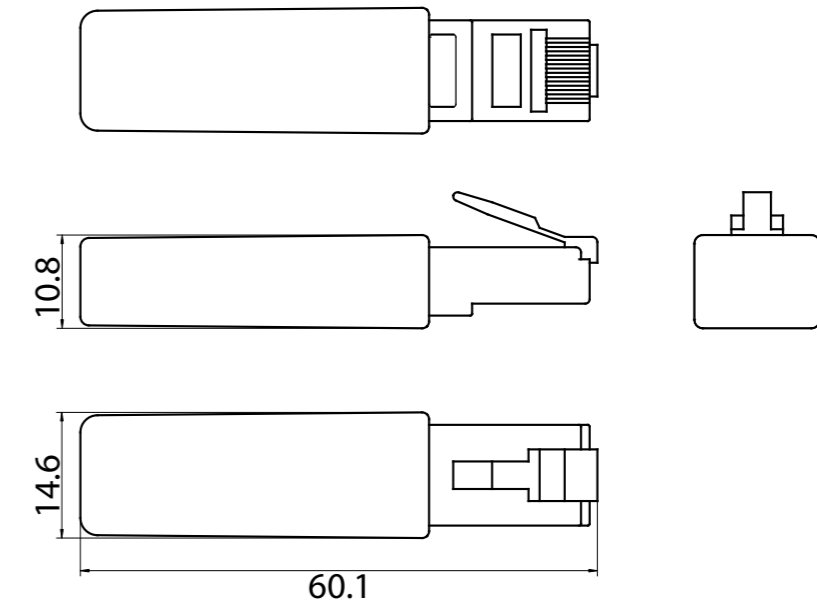




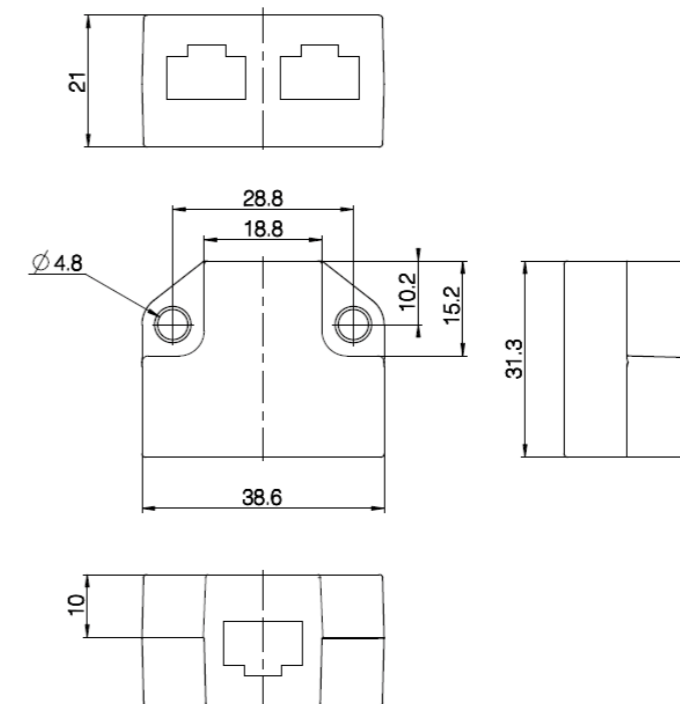
Wired remote control



Fixing brackets for wired remote control



Desk Sensor™



T-splitter

*Desk Sensor™ and Piezo™ technology are registered trademarks of LINAK® A/S, Nordborg, Denmark.*

**Ekinex S.p.A.**  
Via Novara 37  
28010 Vaprio D'Agogna (NO) Italy  
Tel. +39 0321 1828980  
info@ekinex.com  
www.ekinex.com

[www.ekinex.com](http://www.ekinex.com)



More information



Information on the  
type of packaging