



## A1101 WHITE EDITION

### IP VIDEO INDOOR STATION

For door communication in single-family residences  
and apartment buildings

  
Designed,  
developed and  
made in Germany



The DoorBird IP Video Indoor Station is an ideal addition to any DoorBird system. When paired with our DoorBird IP Video Door Intercom, the Indoor Station delivers a live video stream, two-way audio communication as well as control of doors and gates. The Indoor Station is compact and designed to complement any environment.

The DoorBird Indoor Station has a touch display made of scratch-resistant tempered Gorilla® glass with intuitive user interface. It also includes configurable hard buttons with clear symbols for common functions.

This makes the operation

- intuitive and comfortable
- easy-to-use for every age group
- even with gloves on possible

Individual chime alerts can be selected for multiple DoorBird Door Intercoms to indicate from which entry the visitor is calling. When the DoorBird Door Intercom is rung, an LED light at the bottom of the Indoor Station flashes a visual alert. The color of the LED light can be customized for multiple DoorBird Door Intercoms.

In less than 10 minutes the installation of the Indoor Station is completed. The DoorBird Indoor Station



Configurable tile view



Room to room communication



Table Stand "A8003" optional

can connect to the network via WiFi or a network cable. If the Indoor Station is connected using a network cable, it can be powered via Power over Ethernet (PoE) for quick and easy installation. Should the Internet fail, all functions continue to operate within the local network. Once on the Internet, the Indoor Station can connect you to all your DoorBird Door Intercoms – anywhere in the world.

If more than one Indoor Station is used, room to room communication between all Indoor Stations is supported. A SIP phone can also be called at the touch of a button, e.g. to contact a concierge or property manager. Calls from a SIP phone to the Indoor Station and Door Station are also possible.

## FEATURES

### Benefits via IP

- Door opener and elevator control
- Visitor history (free Cloud Recording)
- Room to room communication, when using several Indoor Stations
- SIP support, e.g. for concierge or facility manager calls
- Weather forecast display
- Home and building automation control (IP, TCP, HTTPS, relays etc.)
- Configurable via the DoorBird App worldwide

### Intuitive User Interface

- 4" True Color Touch Display
- Scratch-resistant tempered Gorilla® glass

### Two-way Audio Communication

- HD Audio, up to 102 dB
- More than 50 doorbell sounds available

### Compact Housing

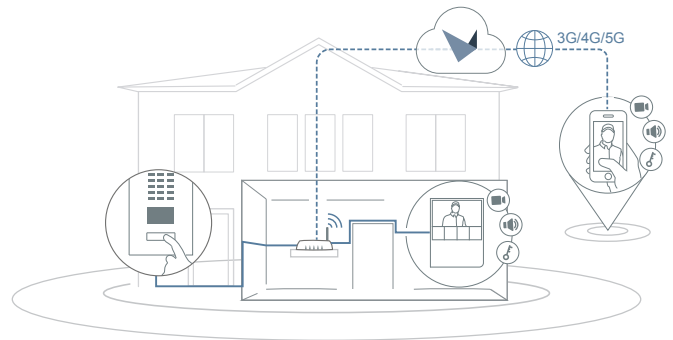
- 5 hardware buttons for main functions
- Configurable RGB LED status bar

### Unlimited Range

- Supports WiFi, Ethernet, PoE
- Support for multiple DoorBird IP Video Door Stations

### Further Options

- Automatic door opening system, e.g. for offices



further installation examples s. page 5

# TECHNICAL SPECIFICATIONS

## GENERAL

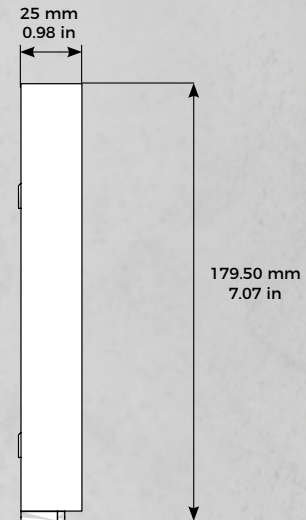
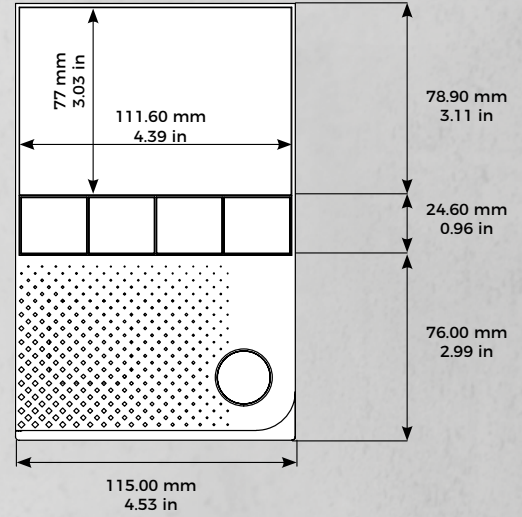
Material	Polycarbonate, white Available in white and black
Mounting type	Surface-mounted, Table Stand "A8003" sold separately
Power supply	15 - 48 V DC (max. 15 W) or Power over Ethernet (PoE 802.3af Mode-A)
Weight	430 g
Connectors	<ul style="list-style-type: none"> <li>• LAN/PoE (T+, T-, R+, R-)</li> <li>• Digital input (0 V, 0 A (NO)) #1, e.g. for storey-call button</li> <li>• Digital input (0 V, 0 A (NO)) #2, e.g. for second storey-call button</li> <li>• Bi-stable latching relay #1, max. 24 V DC/AC, 1 Ampere, e.g. for electric door opener or elevator</li> <li>• Bi-stable latching relay # 2, max. 24 V DC/AC, 1 Ampere, e.g. for electric door opener or elevator</li> <li>• Bi-stable latching relay # 3, max. 24 V DC/AC, 1 Ampere, e.g. for electric door opener or elevator</li> <li>• 15 - 48 V DC input (+, -), max. 15 W</li> </ul>
Power consumptions	5 W
Approvals	CE, FCC, IC, RoHS, IP50
Dimensions	179.5 x 115 x 25 mm (H x W x D) 7.07 x 4.53 x 0.98 in (H x W x D)
Operating conditions	0 to +55°C / 32 to 131°F Humidity 0 % to 85 % (non condensing)
Scope of delivery	<ul style="list-style-type: none"> <li>1x IP Video Indoor Station</li> <li>1x Mounting bracket</li> <li>1x RJ45 Adapter</li> <li>1x Power supply unit (main adaptor) with up to four country-specific adaptors (110 - 240 V AC to 15 V DC)</li> <li>1x Quickstart guide with Digital Passport</li> <li>1x Installation manual</li> <li>1x Small parts</li> </ul>
EAN	4260423860902
Warranty	see <a href="http://www.doorbird.com/warranty">www.doorbird.com/warranty</a>

## INTEGRATED WIRELESS MODULES

WiFi 802.11 b/g/n 2.4 GHz

## OPTIONAL ACCESSORIES

Sold separately see [www.doorbird.com/buy](http://www.doorbird.com/buy)



## CURRENT SYSTEM REQUIREMENTS

System requirements	<p>Mobile device: Newest iOS on iPhone/iPad, newest Android on Smartphone/Tablet</p> <p>Internet: High-Speed Landline Broadband Internet connection, DSL, cable or fiber optic, no socks or proxy server</p> <p>Network: Ethernet Network, with DHCP</p>
Supported door stations	Any DoorBird IP Video Door Station

## DISPLAY

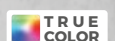
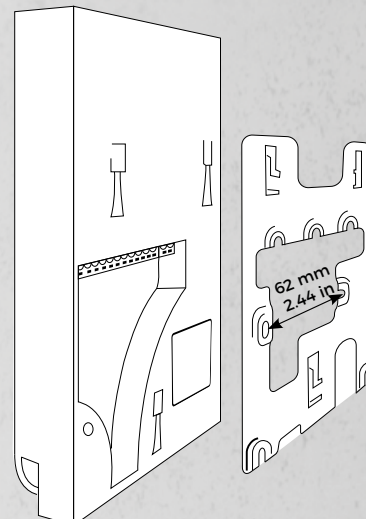
Dimensions	4" True Color LCD
Touch	Yes, capacitive
Resolution	800 x 480 px
IPS	Yes

## AUDIO

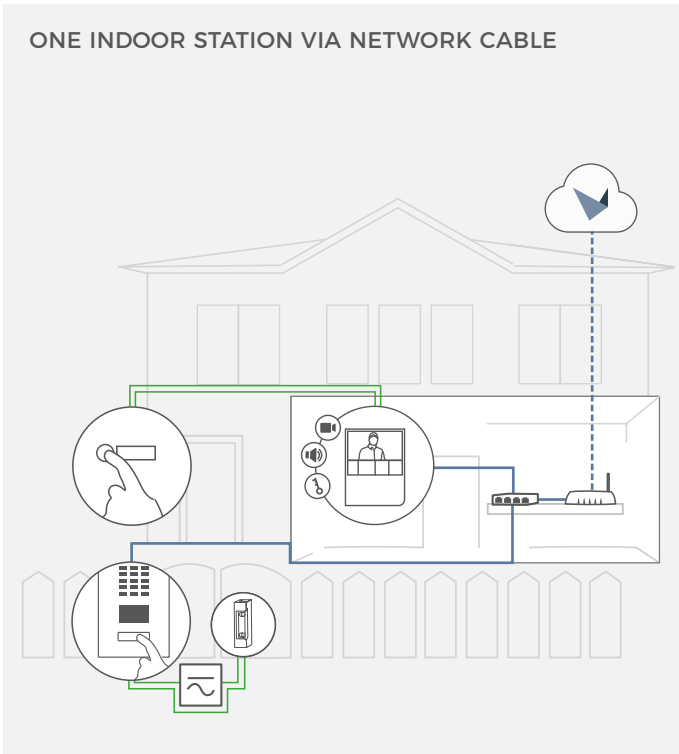
Audio components	Speaker and microphone, echo and noise cancellation (AEC, ANR)
Audio streaming	Two-way

## NETWORK

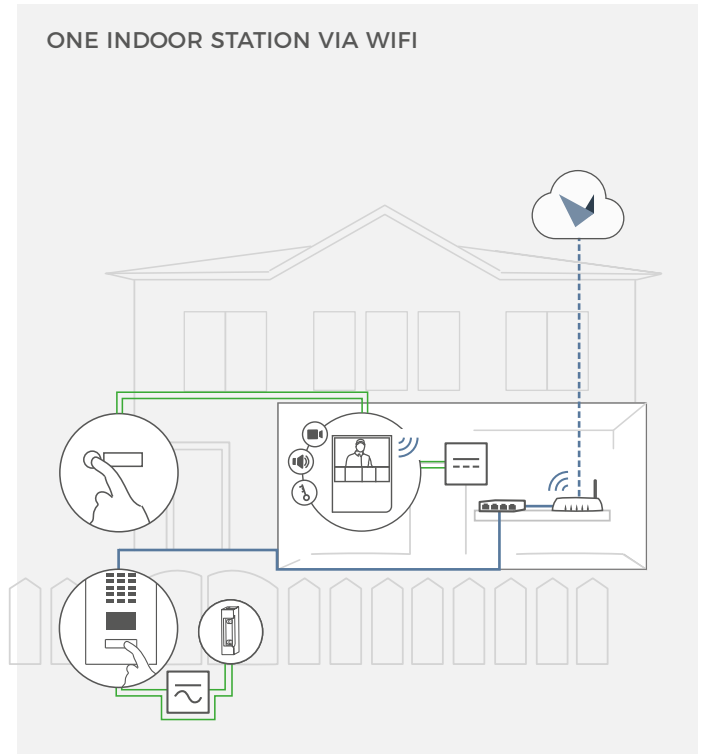
Ethernet	PoE 802.3af Mode-A
WiFi	802.11 b/g/n 2.4 GHz



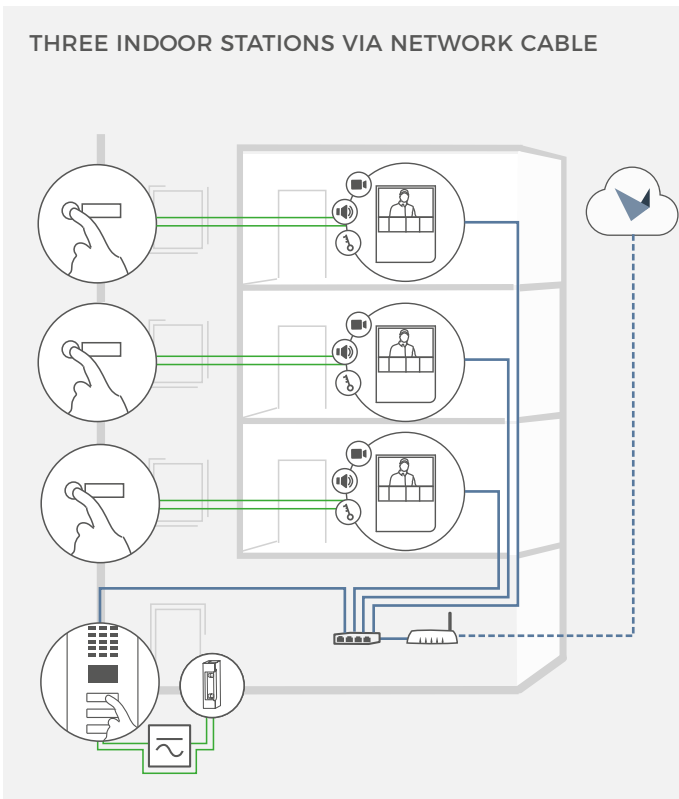
ONE INDOOR STATION VIA NETWORK CABLE



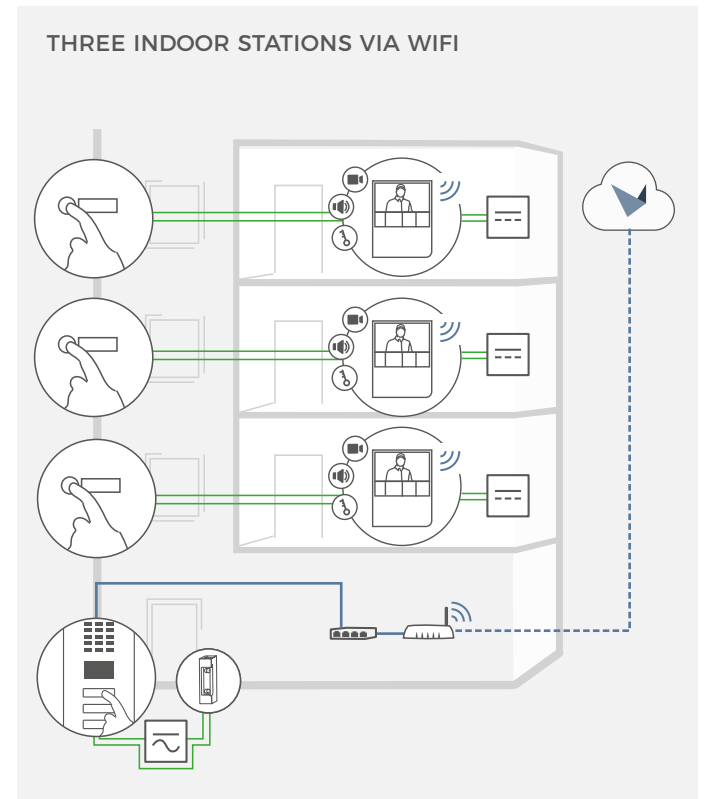
ONE INDOOR STATION VIA WIFI



THREE INDOOR STATIONS VIA NETWORK CABLE



THREE INDOOR STATIONS VIA WIFI



Storey-call button



Indoor Station



DoorBird IP Video Door Station



Electric door or gate opener. Can be secured via DoorBird I/O Door Controller if required (remote safety relay)



Power over Ethernet (PoE) Switch



Router with High-speed Internet, DHCP



Separate power supply 15 V DC, 1 A



Separate power supply 12 V DC, 1 A

— Network cable

— 2-wire-cable

